

# Air Regulator for High Pressure (SAR)

## SAR200H~600H Series

- Highly durable materials are used in the manufacturing of air regulators intended for high pressure operation.



SAR200H



SAR300H



SAR400H



SAR600H

### How to order

**SAR 4 00 H - 04 BG**

① Air Regulator

② Body Size

2 - 1/4  
3 - 3/8  
4 - 1/2  
6 - 1

③ for high pressure

④ Thread type

Nil - Rc(PT)  
N - NPT  
G - G(PF)

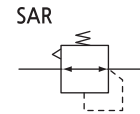
⑤ Port Size

Symbol	Size	Body size			
		2	3	4	6
02	1/4	●			
03	3/8		●		
04	1/2			●	
06	3/4			●	●
10	1				●

⑥ Accessory(Optional)

Nil - None Bracket / None Gauge(Adapter Only)  
B - Bracket  
G - Gauge(Round type)

### Symbol



### Specification

Fluid	Compressed Air			
Max. supply pressure	30bar (3MPa)			
Max. operating pressure	20bar (2MPa)			
Ambient and Media temp.	-5 ~ 60°C (No freezing)			
Regulating range	1~17bar (0.1~1.7MPa)			
Gauge port	SAR200H	SAR300H	SAR400H	SAR600H
	1/8		1/4	
Construction	Relief type			

### Precautions

- Set the outlet pressure range for the regulator in a range that is 85% or less of the inlet pressure. If set above 85%, the inlet pressure will be easily effected by fluctuations in the flow rate and inlet pressure, and will become unstable.
- To set the pressure using the knob, turn the knob in the direction that increases pressure and lock the knob after the pressure is set. If this is done in the direction that decreases pressure, the pressure may drop from the original set pressure. Turning the knob clockwise increases the outlet pressure, and turning it counterclockwise reduces the pressure.
- Please contact SKP when a circuit requires the use of a regulator having relief sensitivity with high precision and setting accuracy.
- Residual pressure release (outlet pressure release) is not complete by releasing the inlet pressure. To release residual pressure, select a model with a back flow mechanism.

SAU

SAU  
LARGE FLOW

SAU  
HIGH PRESS.

SAW

SAWM  
SAWD

SAF

SAF  
LARGE FLOW

SAFM  
SAFD

SAR

SAR  
LARGE FLOW

SAR  
T-HANDLE

SAR  
HIGH PRESS

SRP

SAL

SAL  
LARGE FLOW

AUTO-DRAIN  
KITS

SHVS

SPS100

ACCESSORY

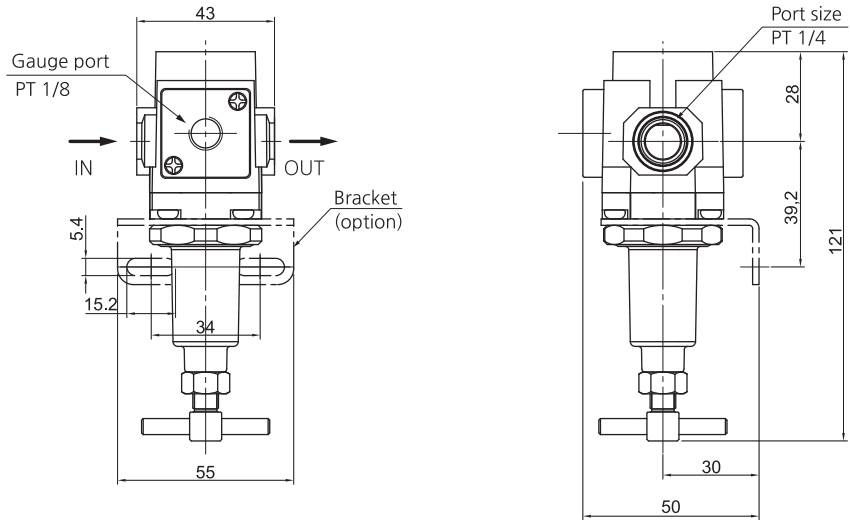
CAUTION

# Series SAR200H~600H

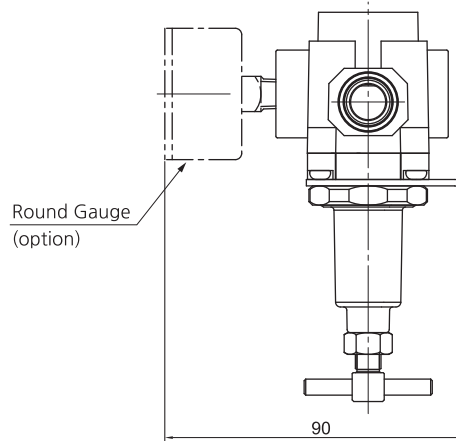
## DIMENSIONS (mm)



### SAR 200H

#### ■ SAR200H-□02□□



#### ■ Dimensions of each model with an option attached



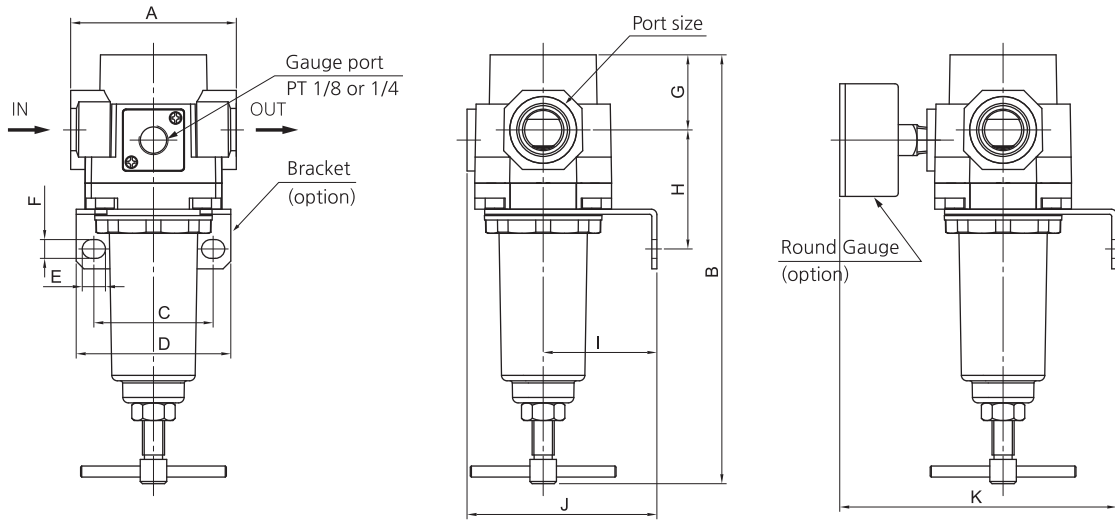
Option	G : Round type Gauge	B : Bracket
Model	 Gh40, R1/8	 B220


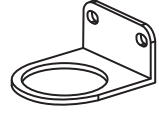
# Air Regulator for High Pressure

## DIMENSIONS (mm)

### SAR 300H~400H

- SAR300H□-□03□□
- SAR400H□-□04(06)□□



Option	G : Round type Gauge	B : Bracket
Model	 SAR300H : Gh40, R1/8 SAR400H : Gh50, R1/4	 SAR300H : B320 SAR400H : B420

Model	Port size	A	B	C	D	E	F	G	H	I	J	K
SAR300H-03	3/8	57	164	40	53	8	6.5	28.4	45.7	41	72	107
SAR400H-04	1/2	75	188	54	70	10.5	8.5	34	54	50	86	127
SAR400H-06	3/4	75	190	54	70	10.5	8.5	34.5	55.5	50	86	127

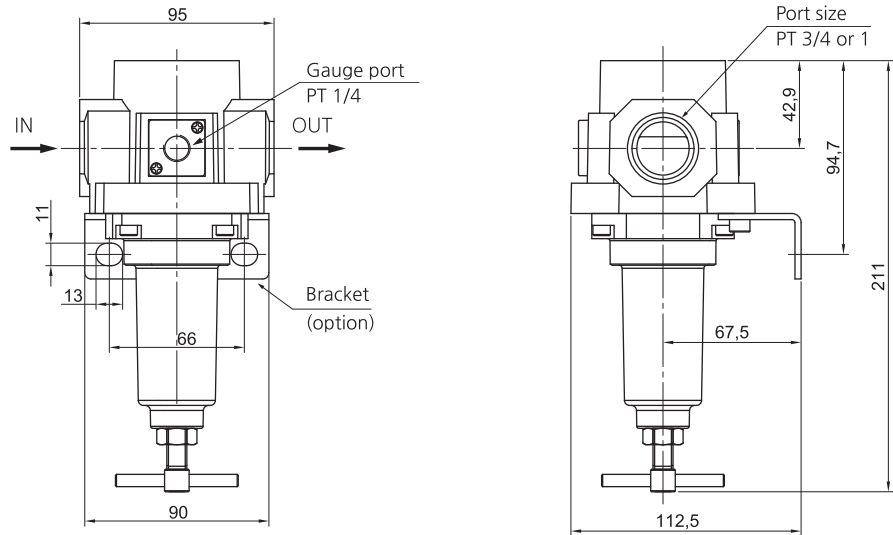
- SAU
- SAU LARGE FLOW
- SAU HIGH PRESS.
- SAW
- SAWM SAWD
- SAF
- SAF LARGE FLOW
- SAFM SAFD
- SAR
- SAR LARGE FLOW
- SAR T-HANDLE
- SAR HIGH PRESS
- SRP
- SAL
- SAL LARGE FLOW
- AUTO-DRAIN KITS
- SHVS
- SPS100
- ACCESSORY
- CAUTION

# Series SAR200H~600H

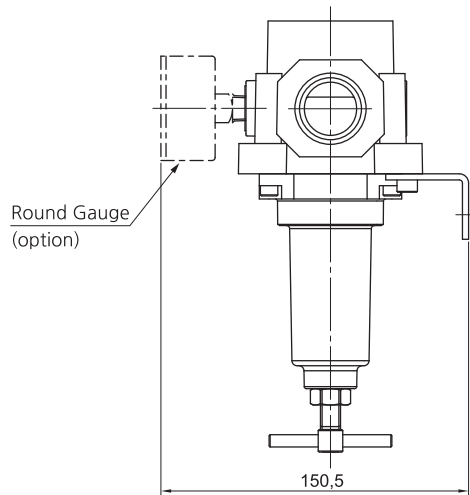
## DIMENSIONS (mm)


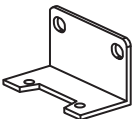
### SAR 600H

- SAR600H□-□06□□
- SAR600H□-□10□□



- Dimensions of each model with an option attached



Option	G : Round type Gauge	B : Bracket
Model	 Gh50, R1/4	 B600