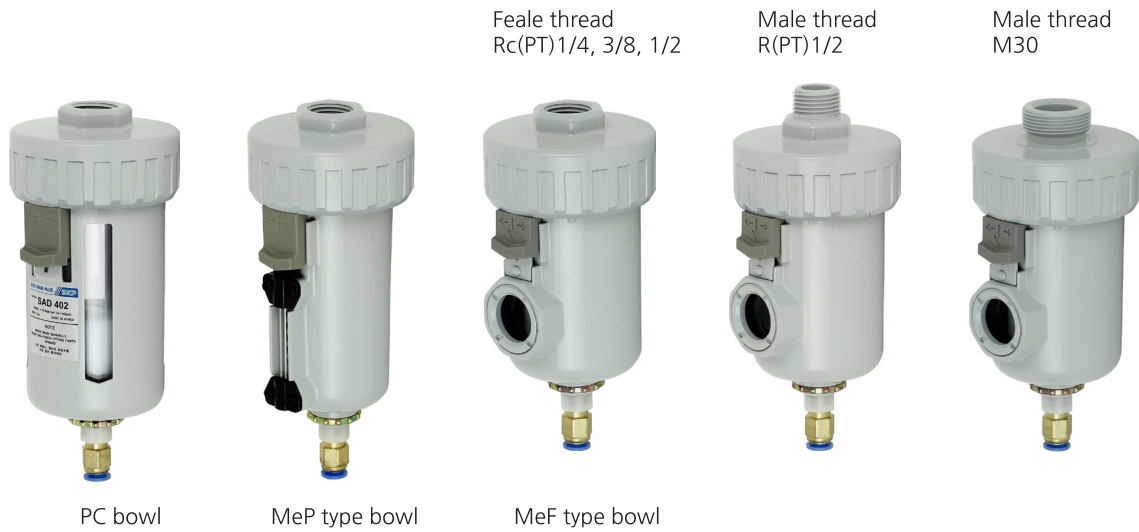


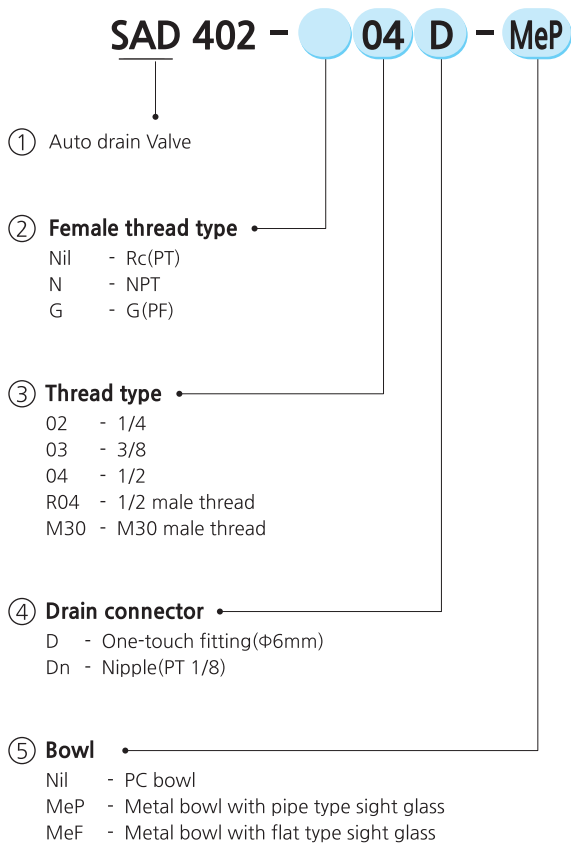
Auto Drain Valve (SAD402)

SAD402 Series

- SAD402 series enable the condensed water in the compressed air line to be drained automatically.
- SAD402 series can also be operated manually.



How to order



Symbol



Specification

Fluid	Compressed Air
Max. operating pressure	10bar (1.0MPa)
Min. operating pressure	1.5bar (0.15MPa)
Max. supply pressure	15bar (1.5MPa)
Ambient and Media temp.	-5~60°C (No freezing)
Port size	1/4, 3/8, 1/2, R1/2, M30

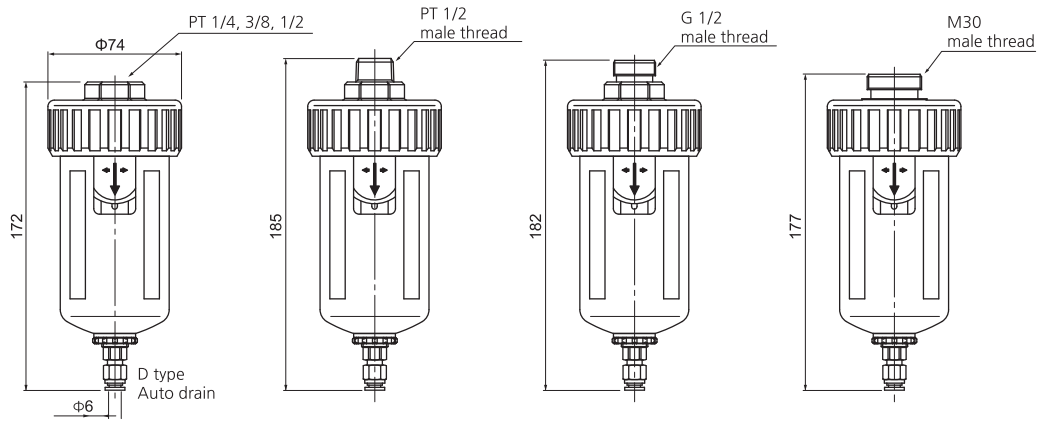
Precautions

- ① Drain piping should be both 4mm or greater in diameter and less than 1m in length.
Avoid installing drain piping upwards.
- ② The drainage hose installed should be straight.
- ③ When auto drain is inoperable, drain manually by pushing the one-touch fitting upward.
- ④ When auto drain is used it is recommended to use at least 1.5bar pressure.
- ⑤ Please consult with SKP when using the product in applications other than compressed air.

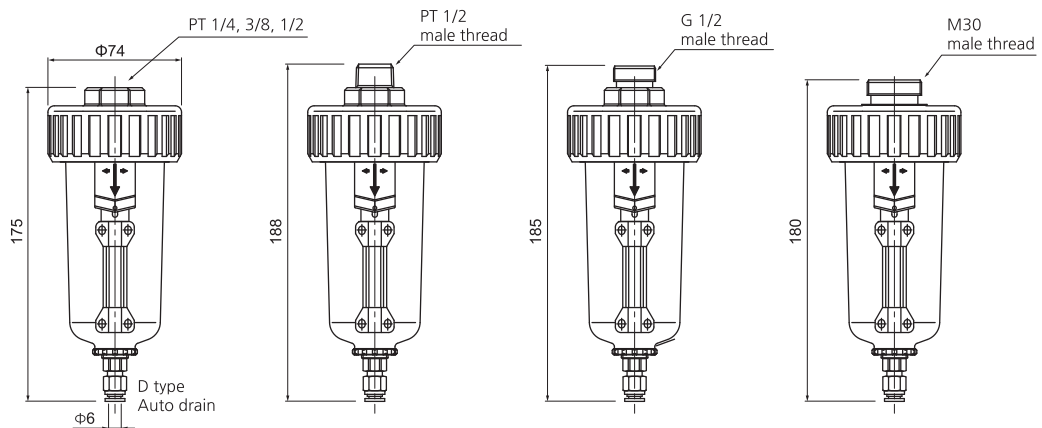
DIMENSIONS (mm)

Note : Dn-type is shorter than 4mm D-type.

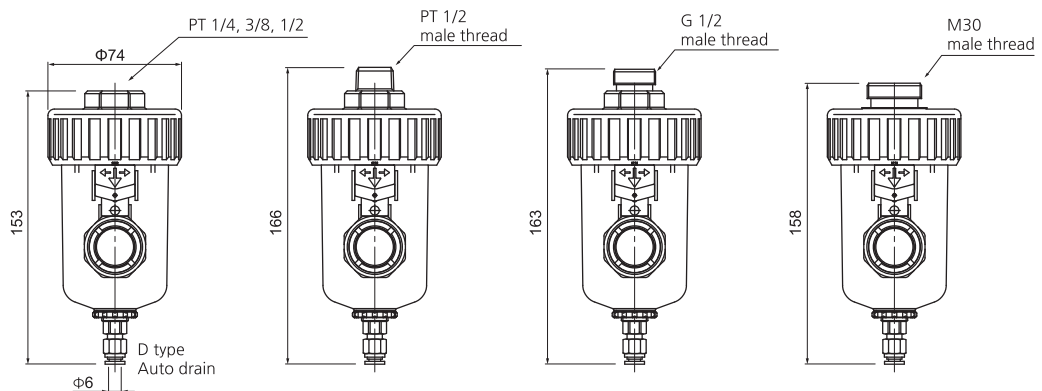
PC Bowl with a bowl guard



Metal Bowl with pipe type sight glass(MeP)



Metal Bowl with flat type sight glass(MeF)



SAMU

SAMG

SAFL

SAM

SAMD

SAMH

SAD402

BRACKET

DPI

CAUTION