

Accessory

Gauge Series



G50



G40



G25

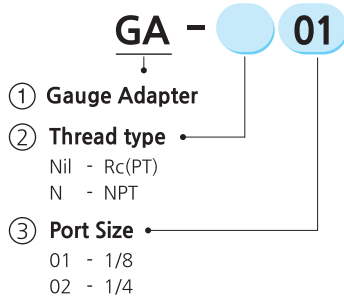
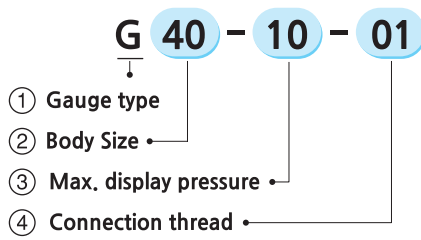


Gs28



GA-01

How to order

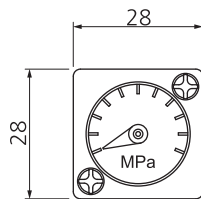


Model		Pressure range ⁽¹⁾	Unit	Connection thread
Standard	G25-10-R1	0~10 (0~1)	Both bar and MPa	R 1/16
	G40-10-01			R 1/8
	G50-10-02			R 1/4
High pressure	Gh40-20-01	0~20 (0~2)	Both bar and MPa	R 1/8
	Gh50-20-02			R 1/4
Precision	Gp40-2-01	0~2 (0~0.2)	R 1/8	R 1/8
	Gp40-4-01	0~4 (0~0.4)		
	Gp40-8-01	0~8 (0~0.8)		
Embedded square	Gs28-10	0~10	MPa	-

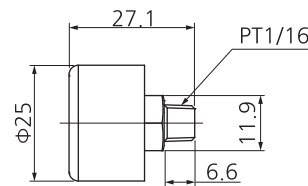
Note : 1. Do not apply pressure more than the maximum display pressure. This will cause a malfunction.

Dimension(mm)

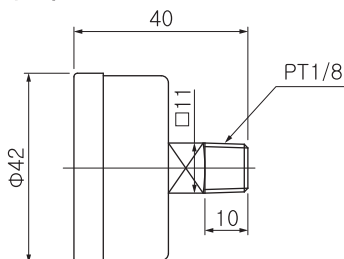
Gs28



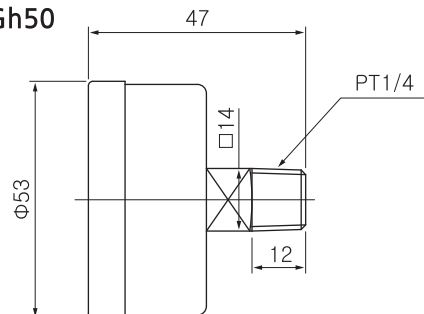
G25



G40, Gh40, Gp40



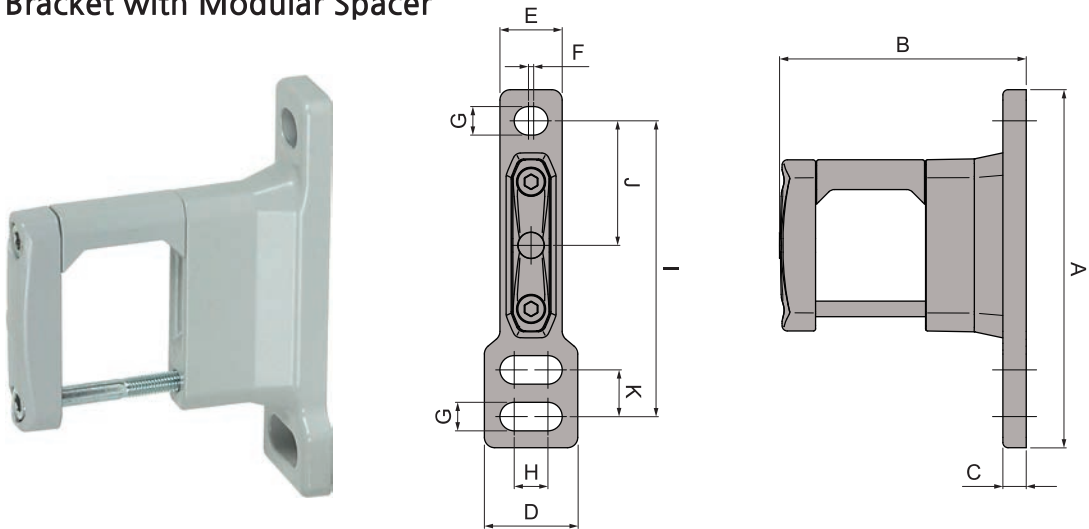
G50, Gh50



Accessory

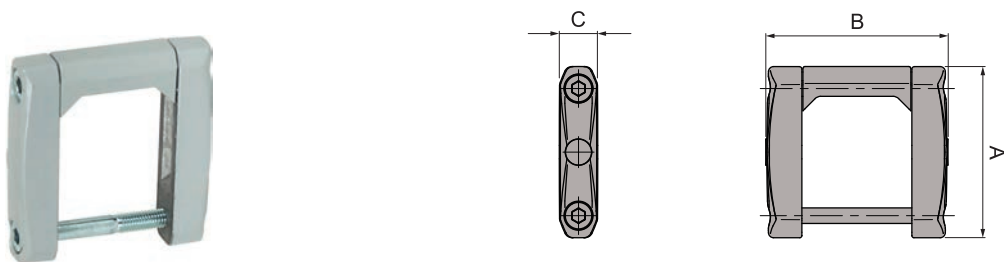
Bracket for Air Unit (B11T~B61T / B11S~B61S)

■ Bracket with Modular Spacer



명칭	A	B	C	D	E	F	G	H	I	J	K	적용품명
B11T	56	39	4	13	13	2.3	4.5	2.3	47	20	7	SAU100, 110, 120
B21T	69	48	4.5	18	12	1	5.5	6.5	57	24	9	SAU200, 210~260
B21U	69	53	4.5	18	12	1	5.5	6.5	57	24	9	SAMU150
B31T	87	63	6	23	17	2	7	7	70	35	-	SAU300, 310~320, SAMU250
B31U	87	63	6	23	17	2	7	7	86	35	16	SAU330~360
B41T-04	100	77	7	29	20	2	9	10	80	40	-	SAU400-04, 410-04~460-04, SAMU350
B41T-06	100	80	7	29	20	2	9	10	80	40	-	SAU400-06, 420-06, 430-06
B41U-06	100	85	7	29	20	2	9	10	80	40	-	SAMU450
B61T	125	105	11	33	25	2	11	10	100	50	-	SAU600, 610, 620, SAMU550

■ Modular Spacer



명칭	A	B	C	적용품명
B21S	33	35	7	SAU200, 210~260, SAMU150
B31S	43	44	10	SAU300, 310~360, SAMU250
B41S-04	54	53	12	SAU400-04, 410-04~460-04, SAMU350
B41S-06	59	60	12.4	SAU400-06, 420-06, 430-06, SAMU450
B61S	69	70	15	SAU600, 610, 620, SAMU550

Accessory

Bracket for SAF / SAL(B200~B600, B620)



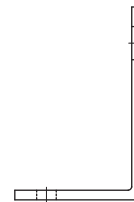
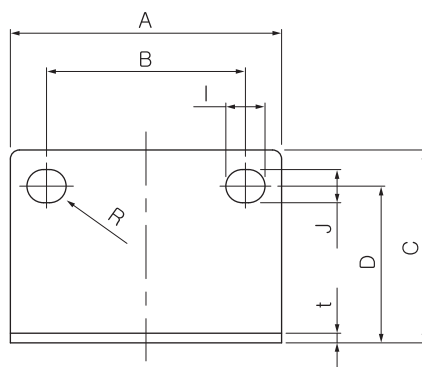
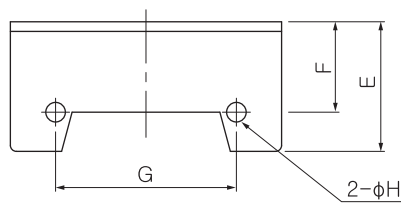
B600



B400



B300



Model	A	B	C	D	E	F	G	H	I	J	R	t	Applicable model
B200	40	27	36.5	30	19.5	15	26	4.5	8.4	5.4	2.7	1.6	SAF200, SAL200, SAFM200, SAFD200
B300	53	40	39	32	26.5	19	35	4.5	8	6.5	3.25	2.3	SAF300, SAL300, SAFM300, SAFD300
B400	70	54	48	38	28.5	20	47	5.5	10	8.5	4.25	2.3	SAF400, SAL400, SAFM400, SAFD400
B600	90	66	64	52	43	30	60	6.5	13	11	5.5	3.2	SAF600, SAL600, SAR600
B622	90	66	41	29	32	21	60	6.5	13	11	5.5	3	SAW600

Accessory

Bracket for SAR / SAW(B120~B420)



B420



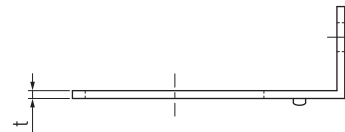
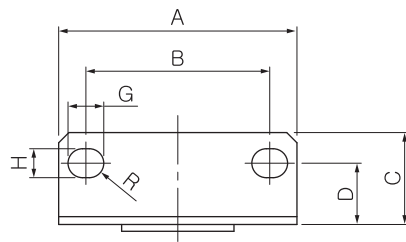
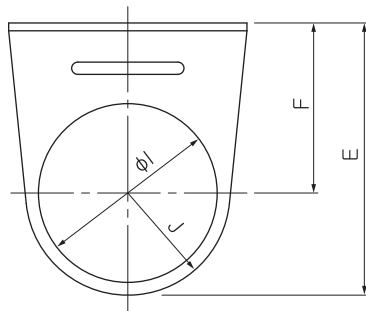
B320



B220



B120

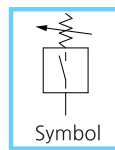
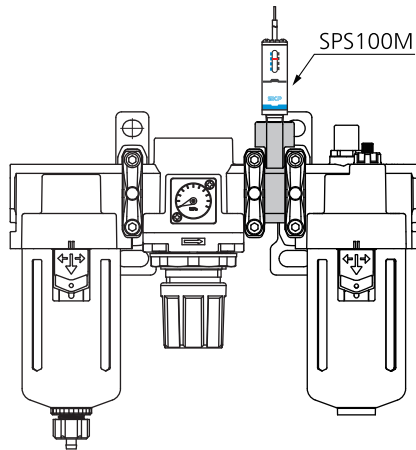


Model	A	B	C	D	E	F	G	H	I	J	R	t	Applicable model
B120	40	28	18.8	13.5	37.5	25	6.5	4.5	18.1	12.5	2.25	1.6	SAR100, SAW100
B220	55	34	21	15	49.5	30	15	5.4	29.8	19.3	5	2	SAR200, SAW200, SAWM200, SAWD200
B320	53	40	22	13.5	67	41	8	6.5	42.5	25	3.25	2.3	SAR300, SAW300, SAWM300, SAWD300
B420	70	54	28	19	80	52	10.5	8.5	42.5	27	4.25	2.3	SAR400, SAW400, SAWM400, SAWD400

Accessory

Pressure Switch with Spacer(SPS100M)

- SPS100M is designed to easily detect a pressure drop of the air line.
- SPS100M can be connected to Modular type F.R.L. units.



How to order

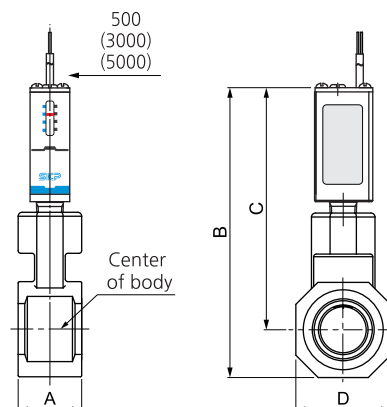
SPS 100M - ● - ● - ●

- Body size**
 - 20 - 1/4
 - 30 - 3/8
 - 40 - 1/2
 - 50 - 3/4
 - 60 - 1
- Lead wire length**
 - Nil - 0.5m
 - L - 3m
 - Z - 5m
- Set pressure range**
 - Nil - 1~4bar(0.1~0.4MPa)
 - 6 - 2~6bar(0.2~0.6MPa)

Specification

Fluid	Compressed air	
Max. operating pressure	7bar (0.7MPa)	
Proof pressure	10bar (1MPa)	
Ambient and fluid temp.	-5 ~ 60°C (No freezing)	
Set pressure range	Nil	1~4bar (0.1~0.4MPa)
	6	2~6bar (0.2~0.6MPa)

Dimension(mm)

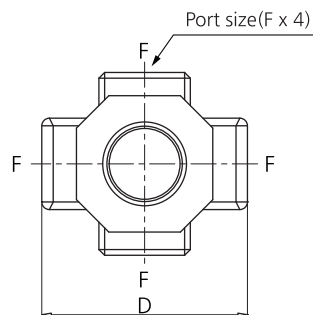
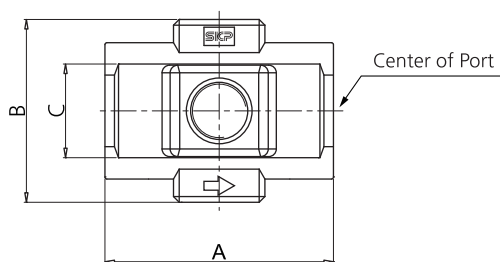
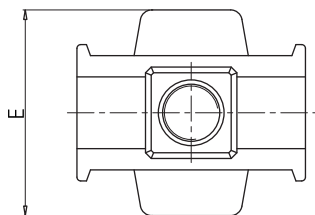
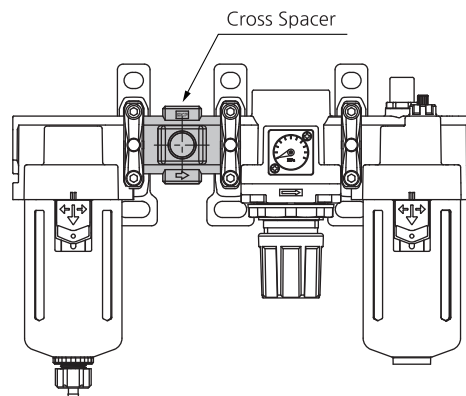


Model	A	B	C	D	Applicable model
PS100M-20	18	89.5	79	25	SAU200, SAU210~260
PS100M-30	19	100	86	30	SAU300, SAU310~360
PS100M-40	24	109	91.1	35.8	SAU400-04, SAU410~460
PS100M-50	24	113	93.2	43.6	SAU400-06, SAU420-06
PS100M-60	28	128	104.3	52.4	SAU600, SAU610~620

Accessory

Cross Spacer(B240C~B440C)

1. Piping is possible in all 4 directions.
2. IN/OUT ports are not machined for threads.
Please contact SKP if threaded (machined) ports are required.
3. When mounting a cross interface directly on the IN side of the lubricator, be sure to use the SACM series check valve between the lubricator and cross interface.



* Unit (mm)

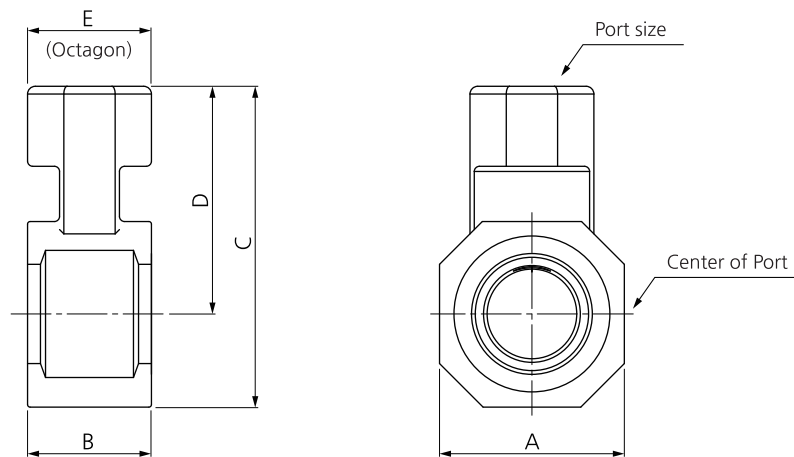
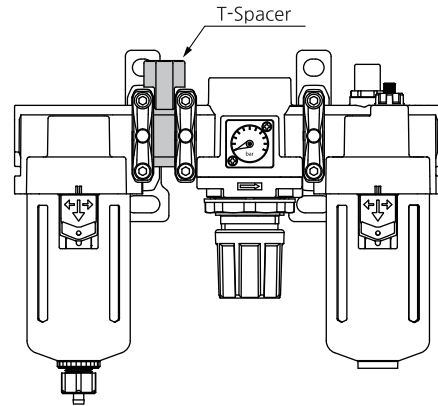
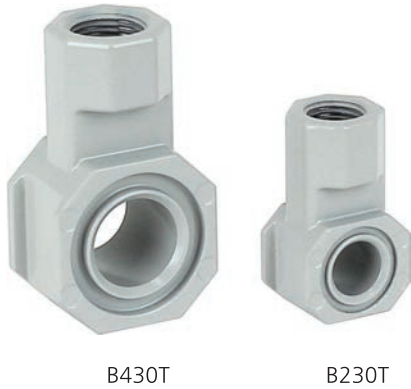
Model	Port size(F)	A	B	C	D	E	Applicable model
B240C-□01	1/8	40	36	21	38	38	SAU200, SAU210~260
B240C-□02	1/4						
B340C-□01	1/8	49	43	28	48	48	SAU300, SAU310~360
B340C-□02	1/4						
B440C-□02	1/4	60	48	35.8	54	54	SAU400-04, SAU410-04~460-04
B440C-□03	3/8						

Note : □ in model numbers indicates a pipe thread type.
No indication is necessary for Rc; however, indicate N for NPT, and G for G.

Accessory

T Spacer(B230T~B630T)

1. Using a T-spacer facilitates the branching of air flow.
2. If a T-spacer is used on the inlet side of the lubricator, lubricant may be mixed. Use the SACM series check valve to avoid such possibility.



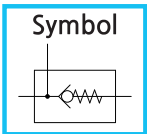
Unit (mm)

Model	Port size	A	B	C	D	E	Applicable model
B230T-□01	1/8	25	18	42.5	32	19	SAU200, SAU210~260
B230T-□02	1/4						
B330T-□01	1/8	30	19	53	39	19	SAU300, SAU310~360
B330T-□02	1/4						
B430T-□01	1/8	35.8	24	62	44.1	24	SAU400-04, SAU410-04~460-04
B430T-□02	1/4						
B430T-□03	3/8						
B530T-□01	1/8	43.6	24	66	46.2	24	SAU400-06, SAU420-06
B530T-□02	1/4						
B530T-□03	3/8						
B630T-□01	1/8	52.4	28	81	57.3	30	SAU600-06(10), SAU610-06(10), SAU620-06(10)
B630T-□03	3/8						
B630T-□04	1/2						

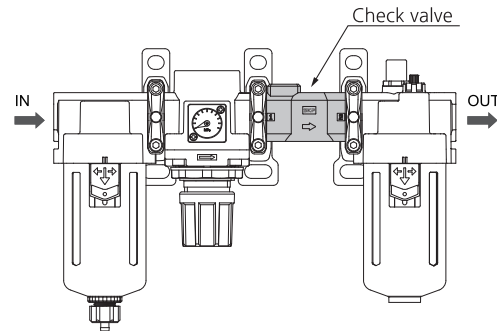
Note : □ in model numbers indicates a pipe thread type.
No indication is necessary for Rc; however, indicate N for NPT, and G for G.

Accessory

Check Valve(SACM200~400)



1. A check valve with intermediate air release port can be easily installed to prevent a backflow of lubricant when redirecting the air flow and releasing the air on the outlet side of the regulator.
2. Be sure to use check valves when redirecting the air flow on the inlet side of the lubricator. Threads for IN and OUT ports are not machined.



How to order

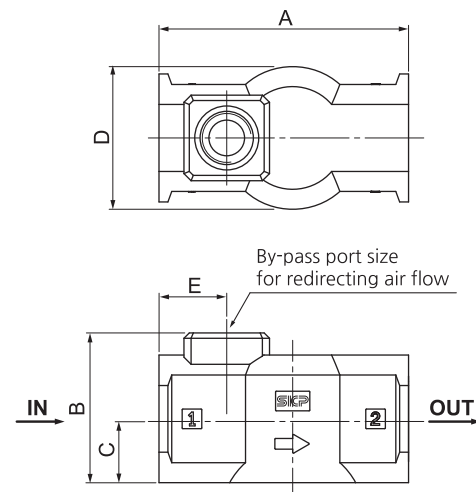
- SACM 4 00- 02**
- ① Check valve
 - ② Body size
2 - 1/4
3 - 3/8
4 - 1/2
 - ③ Thread type
Nil - Rc(PT)
N - NPT
G - G(PF)
 - ④ By-pass port size

Symbol	Size	Body size		
		2	3	4
01	1/8	●	●	
02	1/4	●	●	●
03	3/8			●

Specification

Fluid	Air
Proof pressure	15bar (1.5MPa)
Max. operating pressure	10bar (1MPa)
Ambient and fluid temp.	-5 ~ 60°C (No freezing)

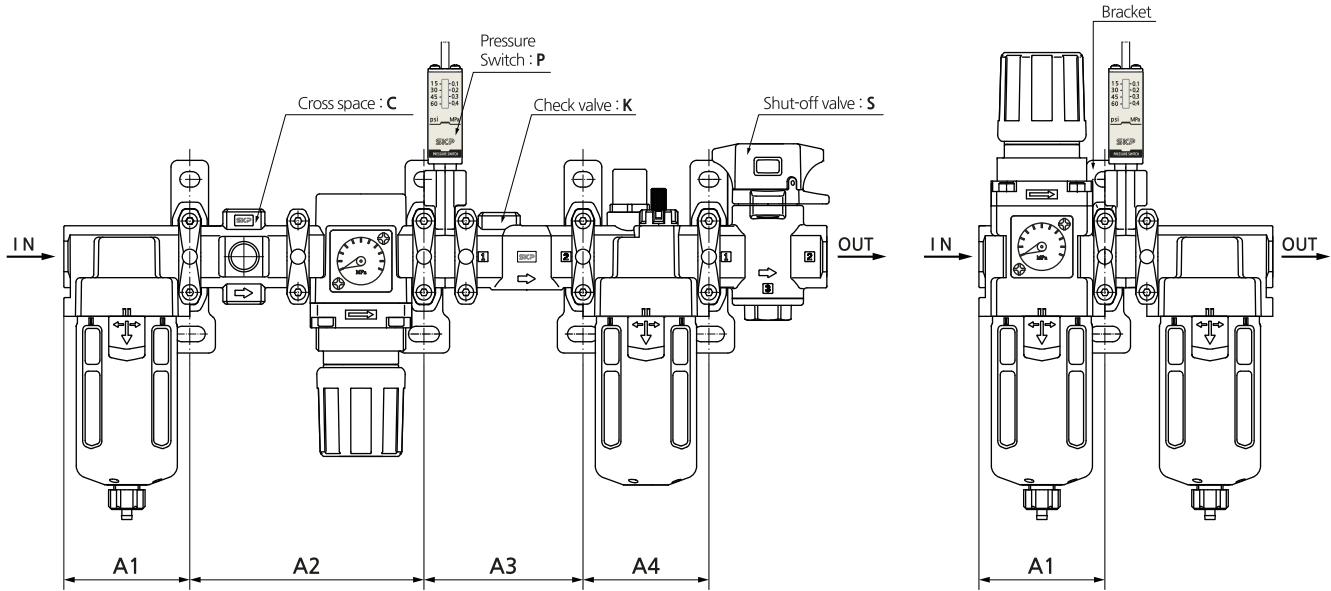
Dimension(mm)



Model	By-pass port size	A	B	C	D	E	Applicable model
SACM200	1/8, 1/4	40	30.5	10.5	27	13.5	SAU200, SAU210~260
SACM300	1/8, 1/4	53	35.5	15	30	15	SAU300, SAU310~360 SAU400, SAU410~460
SACM400	1/4, 3/8	70	42	17.9	40	19	SAU600, SAU610~620

Note : A check valve cannot be mounted on the SAU400-06.

Mounting Position for Spacer with Bracket



Mounting Position for Spacer with Bracket

Attachment Model	K			P		C		S			KP			CK			KS				CKP			
	A1	A2	A3	A1	A2	A1	A2	A1	A2	A3	A1	A2	A3	A1	A2	A3	A1	A2	A3	A4	A1	A2	A3	
SAU100	—	—	—	—	—	—	—	—	—	—	—	—	—	—	—	—	—	—	—	—	—	—	—	—
SAU200	43	43	40	43	43	43	83	43	43	43	43	43	58	43	43	40	43	43	40	43	43	83	58	
SAU300	57	57	53	57	57	57	106	57	57	57	57	72	57	106	53	57	57	53	57	57	106	72		
SAU400-04	75	75	70	75	75	75	135	75	75	75	75	75	94	75	135	70	75	75	70	75	75	135	94	
SAU400-06	—	—	—	75	75	—	—	—	—	—	—	—	—	—	—	—	—	—	—	—	—	—	—	
SAU600	—	—	—	95	95	—	—	95	95	—	—	—	—	—	—	—	—	—	—	—	—	—	—	

Attachment Model	KPS				KCS				KPCS				PC		PS			PCS			CS		
	A1	A2	A3	A4	A1	A2	A3	A4	A1	A2	A3	A4	A1	A2	A1	A2	A3	A1	A2	A3	A1	A2	A3
SAU100	—	—	—	—	—	—	—	—	—	—	—	—	—	—	—	—	—	—	—	—	—	—	—
SAU200	43	43	58	43	43	83	40	43	43	83	58	43	43	83	43	43	61	43	83	61	43	83	43
SAU300	57	57	72	57	57	106	53	57	57	106	72	57	106	57	57	106	76	57	106	76	57	106	57
SAU400-04	75	75	94	75	75	135	70	75	75	135	94	75	75	135	75	75	99	75	135	99	75	135	75
SAU400-06	—	—	—	—	—	—	—	—	—	—	—	—	—	—	—	—	—	—	—	—	—	—	—
SAU600	—	—	—	—	—	—	—	—	—	—	—	—	—	—	75	75	99	—	—	—	—	—	—

Attachment Model	K		P		S		KP		KS			KPS			PS	
	A1	A2	A3	A4	A1	A2	A1	A2	A1	A2	A3	A1	A2	A3	A1	A2
SAU210	43	40	43	43	43	43	43	58	43	40	43	43	58	43	43	61
SAU310	57	53	57	57	57	57	72	57	53	57	57	72	57	72	57	76
SAU410-04	75	70	75	75	75	75	94	75	70	75	75	94	75	75	99	
SAU610	—	—	95	95	95	—	—	—	—	—	—	—	—	95	122	

Attachment Model	P		C		S		PS		CS	
	A1	A2	A1	A2	A1	A2	A1	A2	A1	A2
SAU220	43	43	43	43	43	43	43	73	73	
SAU320	57	57	57	57	57	57	57	75	135	
SAU420-04	75	70	75	75	75	75	94	75	70	
SAU420-06	75	75	—	—	—	—	—	—	—	
SAU610	95	95	—	95	95	95	—	—	—	

Attachment Model	P			C		S			PS			CS		
	A1	A2	A3	A1	A2	A1	A2	A3	A1	A2	A3	A1	A2	A3
SAU230	43	43	43	83	43	43	43	43	43	61	43	83	43	
SAU330	57	57	57	106	57	57	57	57	57	76	57	106	57	
SAU430-04	75	75	75	135	75	75	75	75	99	75	135	75		
SAU430-06	75	75	—	—	—	—	—	—	—	—	—	—	—	

Attachment Model	P		S		PS	
	A1	A2	A3	A4	A1	A2
SAU240	43	43	43	43	43	61
SAU340	57	57	57	57	76	
SAU440	75	75	75	75	99	

Attachment Model	P			C		S			PS			CS		
	A1	A2	A3	A1	A2	A1	A2	A3	A1	A2	A3	A1	A2	A3
SAU250	43	43	43	83	43	43	43	43	43	61	43	83	43	
SAU350	57	57	57	106	57	57	57	57	57	76	57	106	57	
SAU450-04	75	75	75	135	75	75	75	75	99	75	135	75		
SAU450-06	75	75	—	—	—	—	—	—	—	—	—	—	—	

Attachment Model	P		S		PS	
	A1	A2	A3	A4	A1	A2
SAU260	43	43	43	43	43	61
SAU360	57	57	57	57	76	
SAU460	75	75	75	75	99	

L1 : Dimension from the end of the IN side to the center of the mounting hole for the first bracket
L2 : Mounting hole between the first and the second brackets
L3 : Mounting hole between the second and the third brackets
L4 : Mounting hole between the third and the fourth brackets

* Product attachment order or Bracket dismissed location is recommended.