

Air Filter (SAF)

SAF100~600 Series



SAF100

SAF200

SAF300

SAF400

SAF600

How to order

SAF 4 00 - 04 BD - MeP

① Air Filter

② Body Size

- 1 - 1/8
- 2 - 1/4
- 3 - 3/8
- 4 - 1/2, 3/4
- 6 - 1

③ Thread type

- Nil - Rc(PT)
- N - NPT
- G - G(PF)

④ Port Size

| Symbol | Size | Body size | | | | |
|--------|------|-----------|---|---|---|---|
| | | 1 | 2 | 3 | 4 | 6 |
| M5 | M5 | ● | | | | |
| 01 | 1/8 | | ● | | | |
| 02 | 1/4 | | ● | ● | | |
| 03 | 3/8 | | | ● | | |
| 04 | 1/2 | | | | ● | |
| 06 | 3/4 | | | | ● | ● |
| 10 | 1 | | | | | ● |

⑤ Accessory(Optional)

- Nil - None Bracket / Manual Drain
- B - Bracket
- Note) SAF100 is no bracket options.
- D - Auto Drain

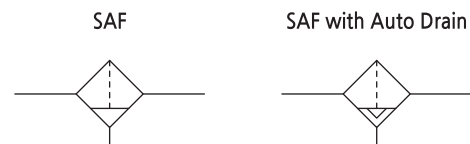
| Symbol | Description | Body | | | | |
|--------|------------------------|------|---|---|---|---|
| | | 1 | 2 | 3 | 4 | 6 |
| D | One-touch fitting type | ● | ● | ● | ● | ● |
| Dn | Nipple(PT1/8) type | - | - | ● | ● | ● |
| Df | SAF200 Float type | - | ● | - | - | - |

※) 1. SAF100 and SAF200 are differential pressure type.
2. SAF300~600 are float type.

⑥ Bowl

- Nil - Polycarbonate bowl with Nylon guard
- PcS - Polycarbonate bowl with Steel guard
- MeP - Metal bowl with pipe type sight glass

Symbol



Specification

| | |
|-------------------------|-------------------------------|
| Fluid | Compressed Air |
| Max. operating pressure | 10bar (1.0MPa) |
| Max. supply pressure | 15bar (1.5MPa) |
| Ambient and Media temp. | -5 ~ 60°C (No freezing) |
| Filtration | 10µm (option: 2, 5, 20, 40) |
| Bowl Guard Material | Poly-carbonate (option: ALDC) |
| Bowl material | Nylon |

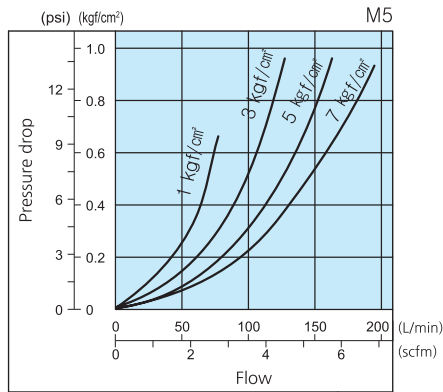
Precautions

- ① Do not use Poly-carbonate bowls in an environment where they are exposed to or come in contact with organic solvents, chemicals, cutting oil, synthetic oil, alkali, and thread lock solutions.
- ② Components with a bowl must be installed vertically with the bowl downward so that faulty drain discharge and dripping can be verified.
- ③ When auto drain is used, drain piping should be both 4mm or greater in diameter and less than 1m in length. Avoid installing drain piping upwards.
- ④ When auto drain is used it is recommended to use at least 1.5bar pressure.
- ⑤ When auto drain is inoperable, drain manually by pushing the one-touch fitting upward.
- ⑥ Before disassembling the equipment on the compressed air side to inspect the auto drain or to replace the filter element, confirm that the pressure is set to zero.

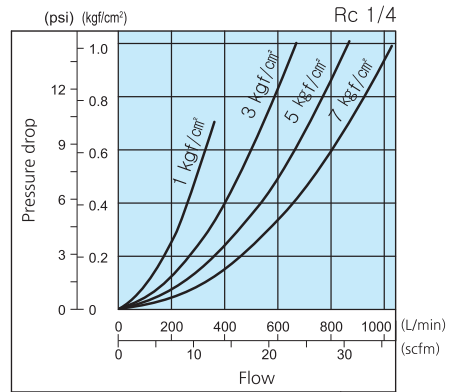
FLOW CHARACTERISTICS

Note : Replace the element every 2 years or when the pressure drop becomes 1bar(0.1Mpa), whichever comes first, to prevent damage to the element.

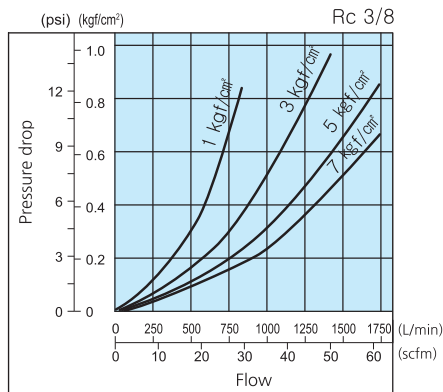
SAF 100



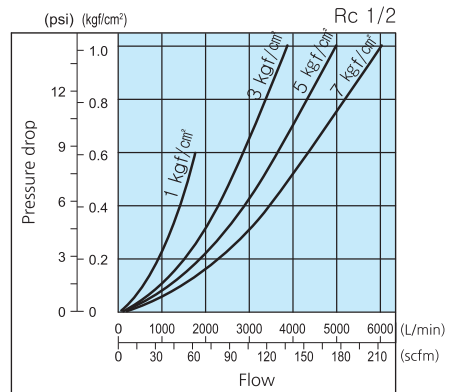
SAF 200



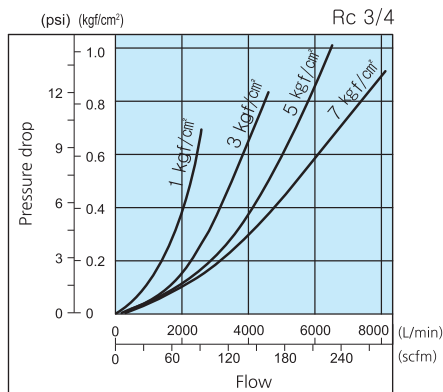
SAF 300



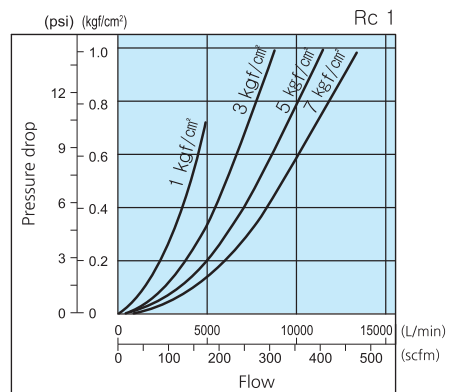
SAF 400-04



SAF 400-06



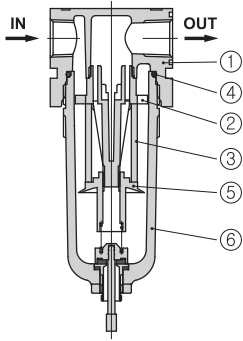
SAF 600



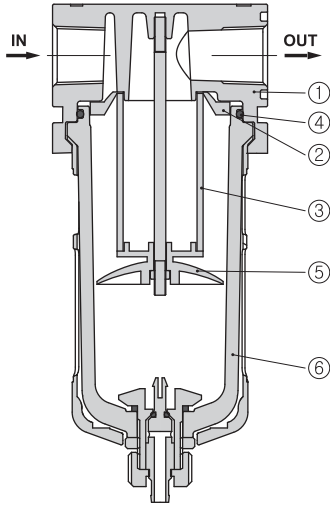
Series SAF100~600

STRUCTURE / PARTS

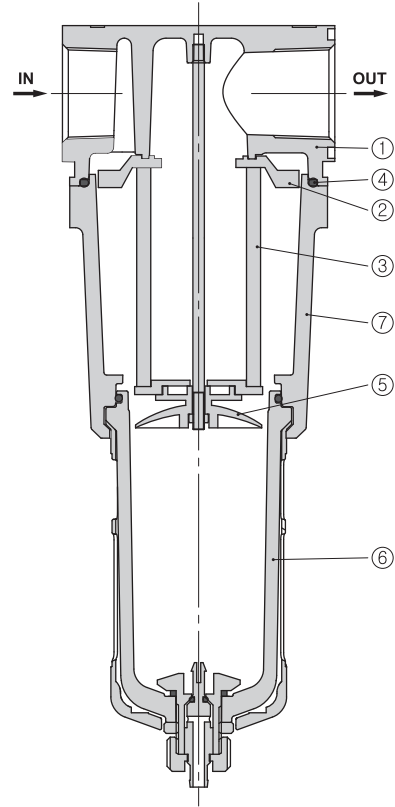
SAF100, SAF200



SAF300, SAF400



SAF600



■ Component Parts

| No. | PARTS | MATERIAL |
|-----|--------------------------|------------|
| ① | Body | ALDC |
| ② | Impeller | ABS |
| ⑤ | Baffle | ABS |
| ⑥ | Bowl Ass'y ¹⁾ | PC & Nylon |
| ⑦ | Housing | ALDC |

1) Bowl Ass'y for the SAF300 to SAF600 models comes with a bowl guard (steel band material).

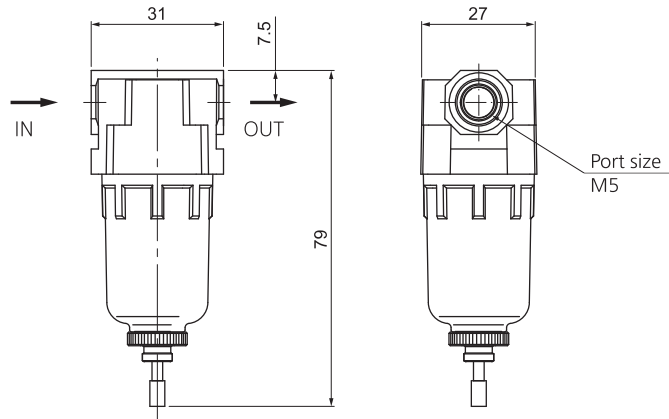
■ Replacement Parts

| No. | PARTS | MATERIAL | Part no. | | | | |
|-----|---------|----------|----------|---------|---------|---------|---------|
| | | | SAF100 | SAF200 | SAF300 | SAF400 | SAF600 |
| ③ | Element | - | F100-EL | F200-EL | F300-EL | F400-EL | F600-EL |
| ④ | O-ring | NBR | S22 | U024 | 38x2 | U137 | U137 |

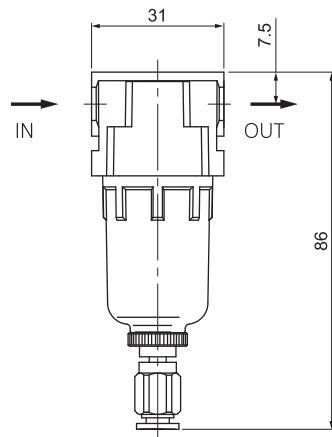
DIMENSIONS (mm)

SAF 100

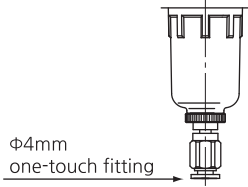
- SAF100-□01(M5)□



- Dimensions of each model with an option attached



with Auto Drain
(Differential pressure type)

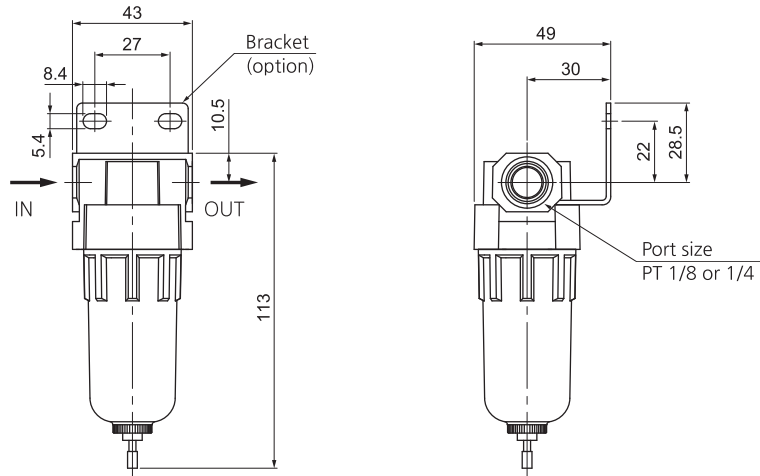
| Option | D : Auto Drain (Differential pressure type) |
|--------|---|
| Model |  <p>Φ4mm one-touch fitting</p> |

Series SAF100~600

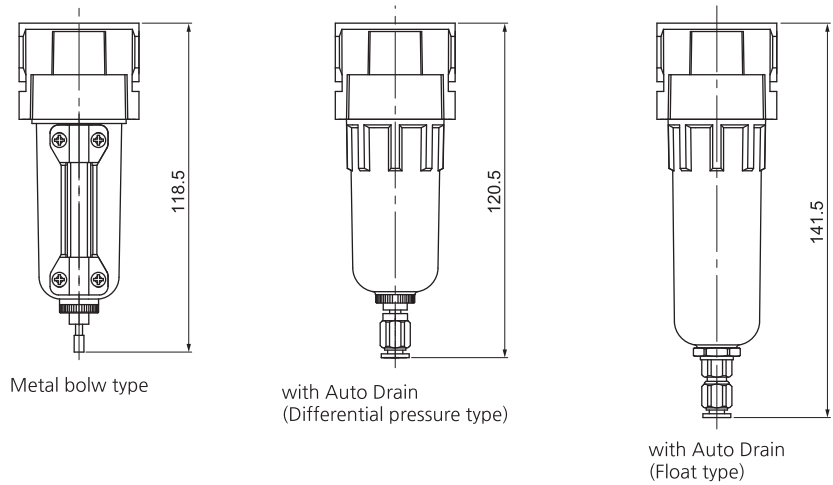
DIMENSIONS (mm)

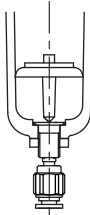
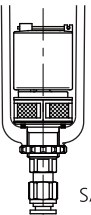
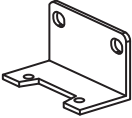
SAF 200

■ SAF200-□02□□



■ Dimensions of each model with an option attached

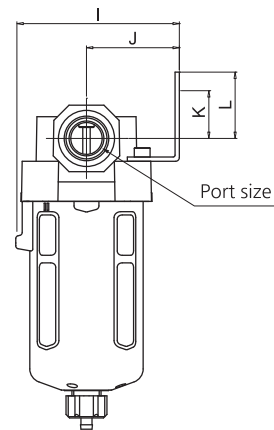
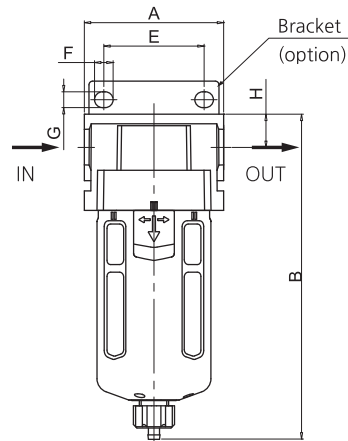


| Option | Auto Drain | | B : Bracket |
|--------|---|--|--|
| | D : Differential pressure type | Df : Float type | |
| Model |  |  SAD200 |  B200 |

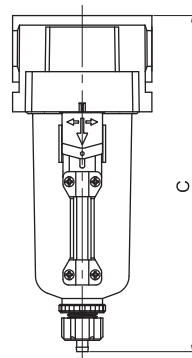
DIMENSIONS (mm)

SAF 300~400

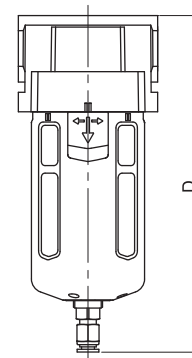
- SAF300-□03□□
- SAF400-□04(06)□□



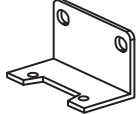
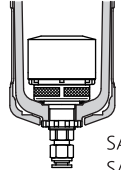
- Dimensions of each model with an option attached



Metal bowl type



with Auto drain

| Option | B : Bracket | D : Auto Drain |
|--------|---|---|
| Model |  SAF300 : B300 SAF400 : B400 |  SAF300 : SAD300 SAF400 : SAD400 |

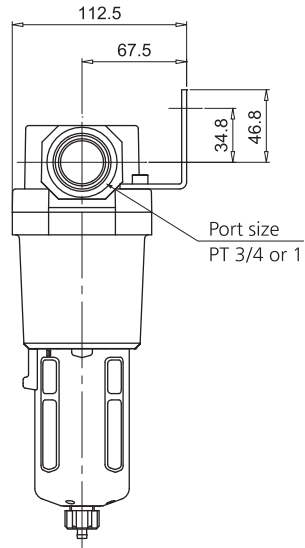
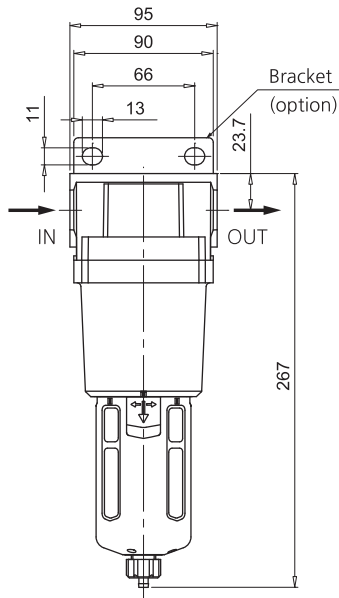
| Model | Port size | A | B | C | D | E | F | G | H | I | J | K | L |
|-----------|-----------|----|-----|-----|-----|----|-----|-----|------|----|------|------|------|
| SAF300-03 | 1/4, 3/8 | 57 | 143 | 151 | 149 | 40 | 7.9 | 6.3 | 14 | 65 | 36.5 | 14 | 21 |
| SAF400-04 | 1/2 | 75 | 174 | 179 | 181 | 54 | 10 | 8.5 | 17.9 | 85 | 50 | 25.7 | 35.7 |
| SAF400-06 | 3/4 | 75 | 178 | 183 | 185 | 54 | 10 | 8.5 | 19.8 | 85 | 50 | 25.1 | 35.1 |

Series SAF100~600

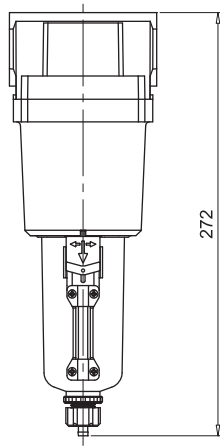
DIMENSIONS (mm)

SAF 600

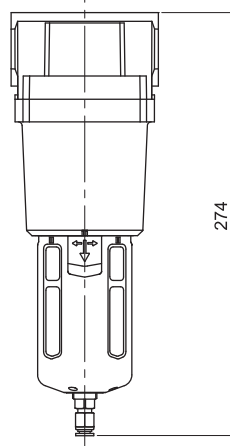
- SAF600-□06□□
- SAF600-□10□□



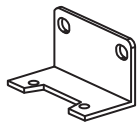
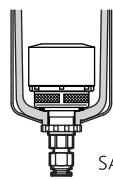
- Dimensions of each model with an option attached



Metal bowl type



with Auto drain

| Option | B : Bracket | D : Auto Drain |
|--------|---|---|
| Model |  <p>B600</p> |  <p>SAD400</p> |