

Micro Mist Separator with Prefilter (SAMH)

SAMH150~850 Series



SAMH450



SAMH350

150-550 series can be combined with other modular equipment.

- SAMH series is designed to separate and remove aerosol state oil mist in compressed air and remove carbon or dust of more than 0.01 micron. It should be used as a prefilter for precision instruments utilizing compressed air, or in clean room environments requiring higher clean air quality.
- The conventional pneumatic pressure line SAM Series + SAMD Series have been integrated to reduce installation space, piping labor, and costs.

How to order

SAMH 350 - 03 BD - MeP - S

① Micro Mist Separator with Prefilter

- ② **Body Size**
- 150 - 1/8
 - 250 - 1/4
 - 350 - 1/2
 - 450 - 3/4
 - 550 - 1
 - 650 - 1 1/2
 - 850 - 2

- ③ **Thread type**
- Nil - Rc(PT)
 - N - NPT
 - G - G(PF)

④ **Port Size**

Symbol	Size	Body size						
		150	250	350	450	550	650	850
01	1/8	●						
02	1/4	●	●					
03	3/8		●	●				
04	1/2			●				
06	3/4				●	●		
10	1					●		
12	1 1/4						●	
14	1 1/2							●
20	2							●

- ⑤ **Accessory(Optional)**
- Nil - None Bracket / Manual Drain
 - B - Bracket
 - D - Auto Drain

Symbol	Drain connector	Material
D	One-touch fitting(Φ6mm)	Acetal
Dn	Nipple(PT 1/8)	Brass

- ⑥ **Bowl**
- Nil - Metal bowl with flat type sight glass(MeF)
 - PcS - Polycarbonate bowl with Steel guard
 - MeP - Metal bowl with pipe type sight glass
- Note) 150 and 250 are the integral cover and bowl(MeF type).

- ⑦ **Option**
- Nil - None
 - S - Differential Pressure Indicator

Symbol



Specification

Fluid	Compressed Air
Max. operating pressure	10bar (1.0MPa)
Min. operating pressure	1.5bar (0.15MPa)
Max. supply pressure	15bar (1.5MPa)
Ambient and Media temp.	5 ~ 60°C
Filtration	0.1μm + 0.01μm
Life of element	When pressure drop reached at 1bar

Precautions

- ① Filter element should be changed after 2years of use or when pressure drop reached at 1bar(0.1MPa).
- ② When auto drain is used, drain piping should be both 4mm or greater in diameter and less than 1m in length. Avoid installing drain piping upwards.
- ③ When auto drain is used it is recommended to use at least 1.5bar pressure.
- ④ When auto drain is inoperable, drain manually by pushing the one-touch fitting upward.
- ⑤ Before disassembling the equipment on the compressed air side to inspect the auto drain or to replace the filter element, confirm that the pressure is set to zero.
- ⑥ Please consult with SKP when using the product in applications other than compressed air.

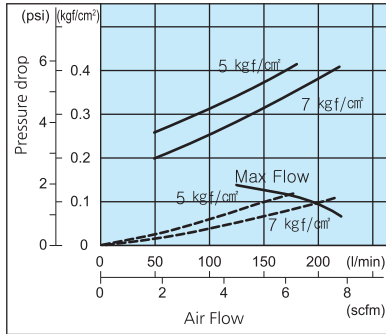
Series SAMH

FLOW CHARACTERISTICS

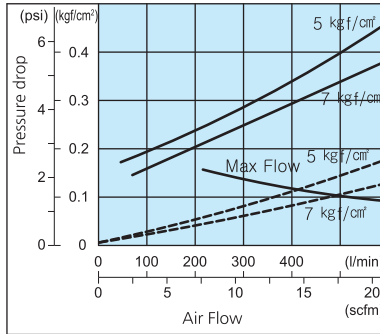
(— Element oil saturation - - - - Initial condition)

Note : Compressed air over max. flow line in the table below may not meet the specifications of the product. It may cause damage to the element.

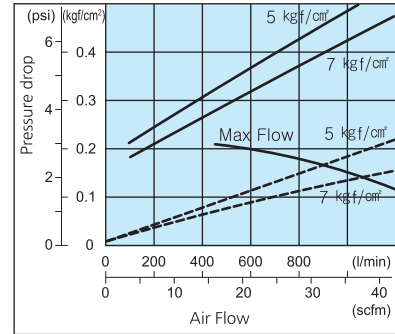
SAMH 150



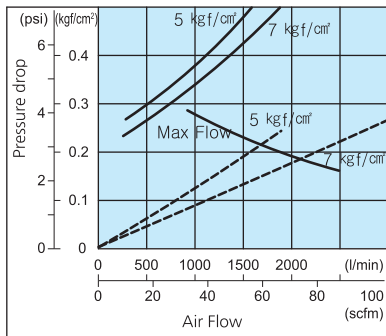
SAMH 250



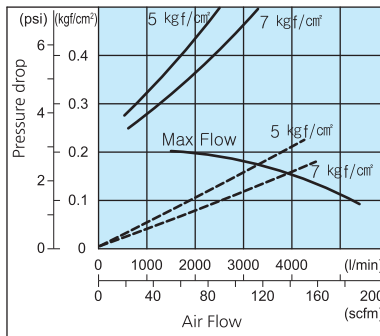
SAMH 350



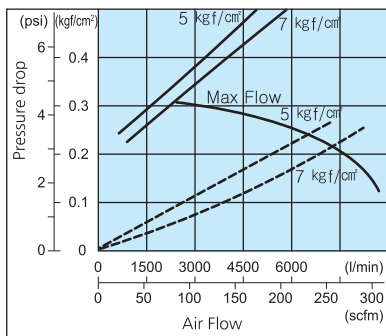
SAMH 450



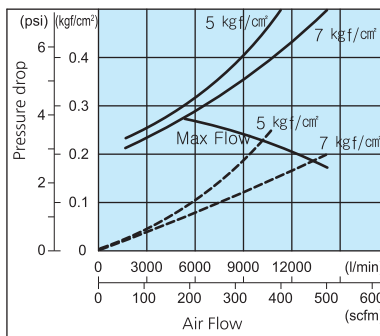
SAMH 550



SAMH 650



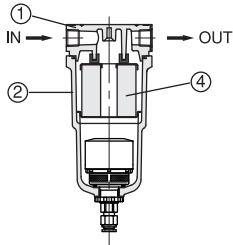
SAMH 850



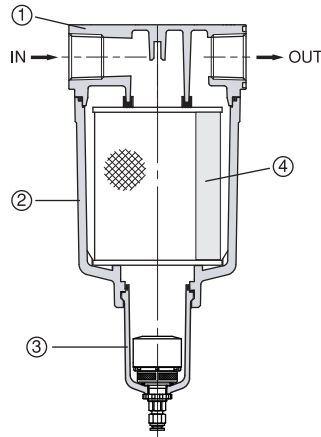
Micro Mist Separator with Prefilter

STRUCTURE / PARTS

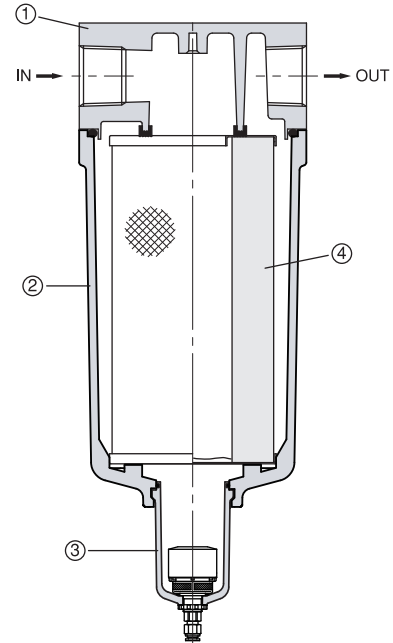
SAMH 150~250



SAMH 350~550



SAMH 650~850



Component Parts

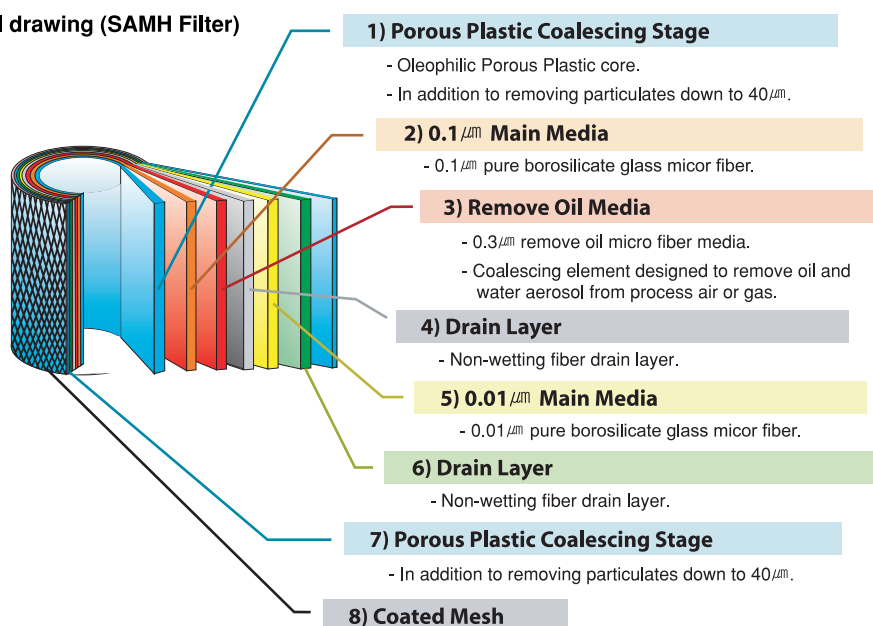
No.	PARTS	MATERIAL
①	Body	ALDC
②	Housing	ALDC
③	Bowl Ass'y	ALDC(MeP type)
		ALDC(MeF type)

Replacement Parts

(mm)

No.	PARTS	Part No. & Size(Φ x Height)						
		AMH-EL150	AMH-EL250	AMH-EL350	AMH-EL450	AMH-EL550	AMH-EL650	AMH-EL850
④	Filter	45 x 42	58 x 52.5	70 x 77	82 x 87	95 x 117	122 x 144	130 x 260

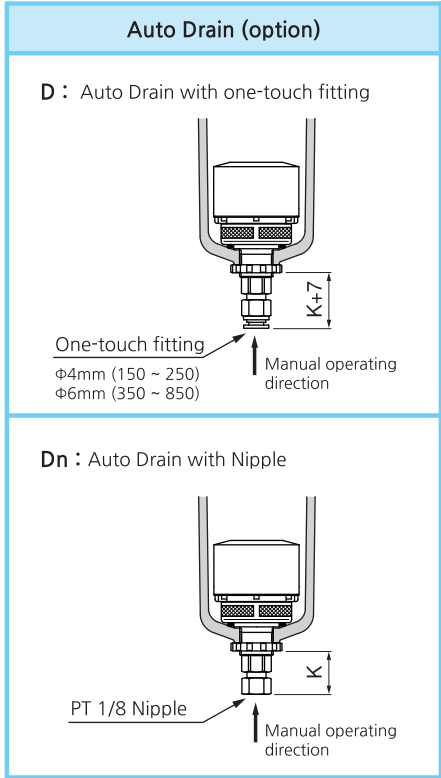
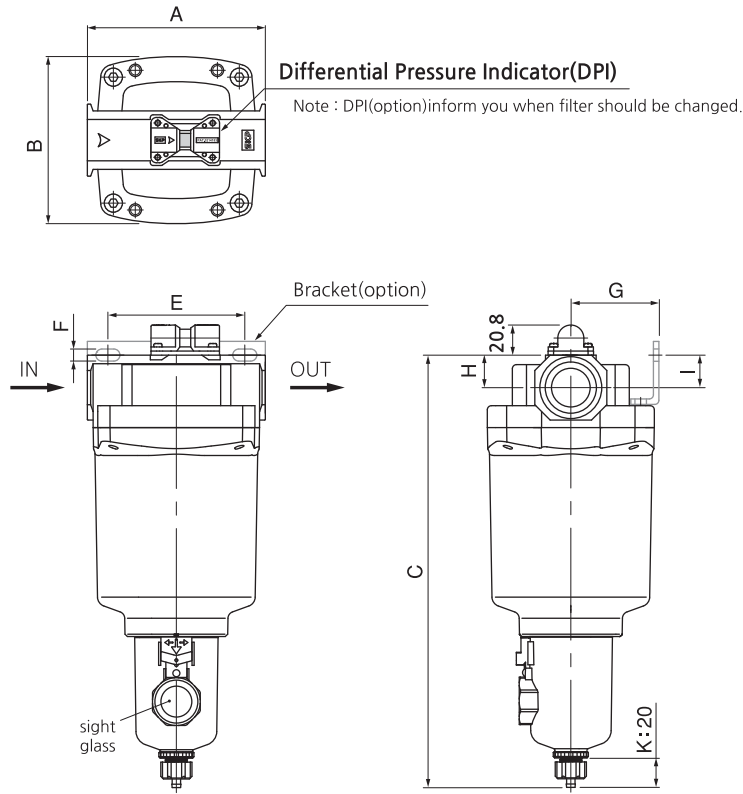
Sectional drawing (SAMH Filter)



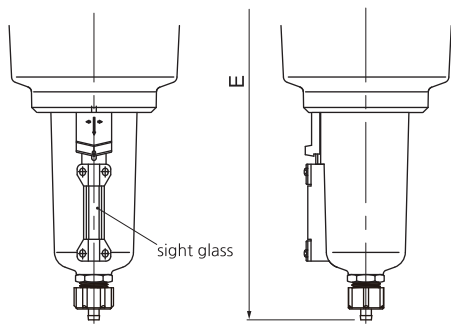
Series SAMH

DIMENSIONS (mm)

SAMH 150~550



- **MeP** - Metal Bowl with pipe type sight glass



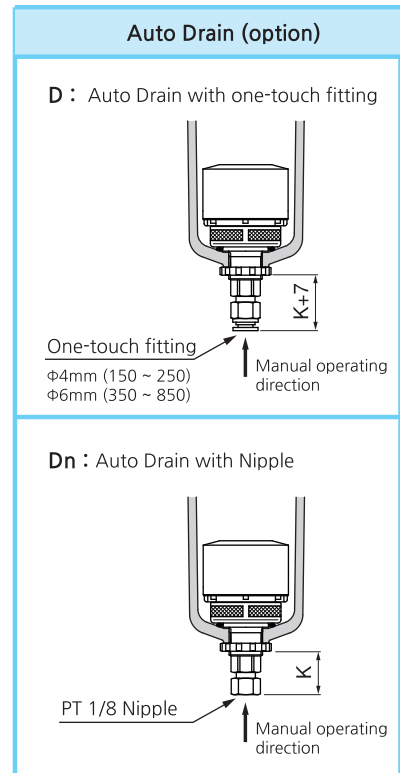
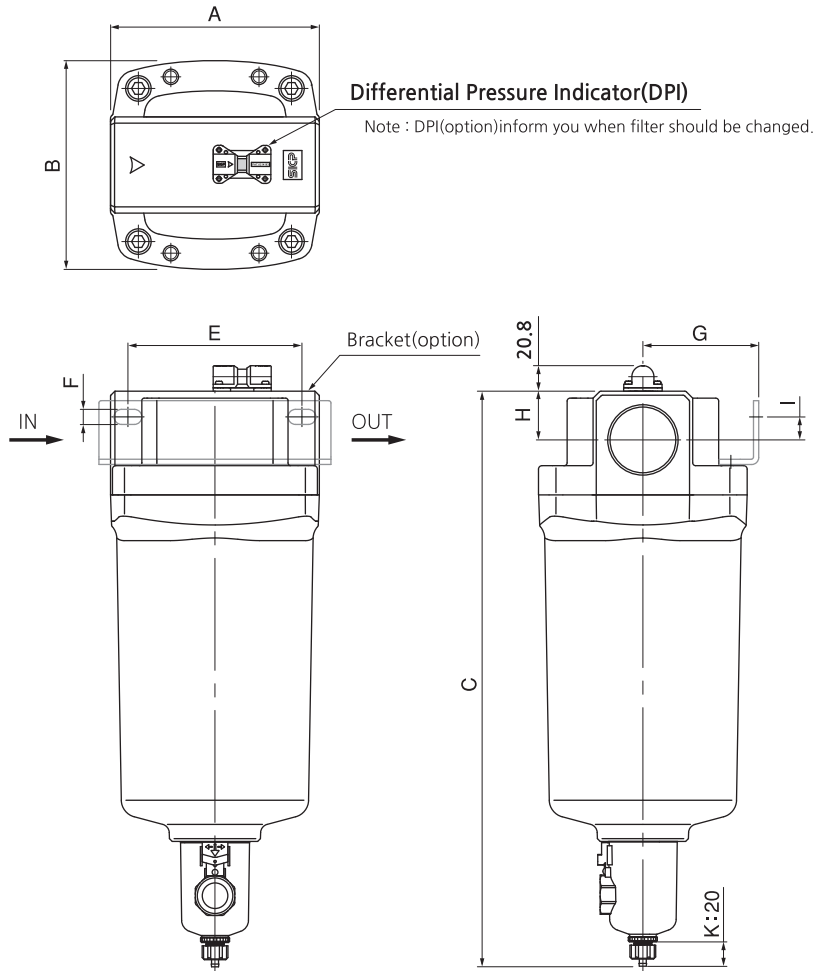
Note : 150 and 250 are the integral cover and bowl(MeF type)

Model	Port size	A	B	Height(manual drain)		E	F	G	H	I
				C(MeF)	D(MeP)					
SAMH 150	1/8, 1/4	67	66	158.5	-	56	6	33.6	10.5	19.7
SAMH 250	1/4, 3/8	82	76	177.7	-	66	6	39.5	14	13.5
SAMH 350	3/8, 1/2	98	90	253	273	80	7	49.8	17.9	15.9
SAMH 450	3/4	114	106	271.3	291.3	90	9	56.2	19.8	15.3
SAMH 550	3/4, 1	130	122	311.2	331.2	100	8.8	64.5	23.7	21

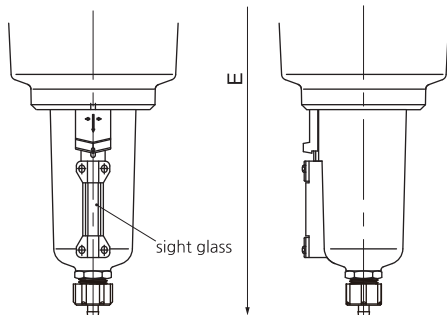
Micro Mist Separator with Prefilter

DIMENSIONS (mm)

SAMH 650~850



- MeP - Metal Bowl with pipe type sight glass



Model	Port size	A	B	Height(manual drain)		E	F	G	H	I
				C(MeF)	D(MeP)					
SAMH 650	1 1/4, 1 1/2	160	160	361.2	381.2	150	13	93	32	27
SAMH 850	1 1/2, 2	180	180	490.7	510.7	150	13	100	42	20