

Air Cleaning Equipment

SAMG / SAFL / SAM / SAMD / SAMH

- > 150~850 Series
- > Water separation · Solid/Oil Separation

NEW VERSION



Possible to make a modular connection with SAU series.

- Space-saving design, Labor-saving in piping!
- Modular connection with SAF, SAW, SAR, SALseries.
- Filter Body size : 150, 250, 350, 550

Port size(When connection with SAU series)

Symbol	Size	Body size			
		150	250	350	550
02	1/4	●			
03	3/8		●		
04	1/2			●	
06	3/4				●
10	1				●

Water Separation

SAMG (Water Separator)

Solid/Oil Separation

SAFL (Main Line Filter)

SAM (Mist Separator)

SAMD (Micro Mist Separator)

SAMH (Micro Mist Separator with Pre-filter)

Micro Separator Unit (SAMU)

SAMU150~550 Series



SAMU150



SAMU250

- SAMU Series, The SAMU unique design combines the SAMG (Water Separator), SAMH (0.01 Micron Coalescing) and SAR (Air Regulator). The SAMU is a point-of-use drying filtration system which delivers high quality dry air, and a high performance regulator which reduces primary pressure to a desired pressure setting.
- The SAMU series are modular type for easy installation and use in confined spaces.

How to order

SAMU 350 M - 04 DG - MeP - S

① Micro Separator Unit

② Body Size

- 150 - 1/4
- 250 - 3/8
- 350 - 1/2
- 450 - 3/4
- 550 - 3/4, 1

③ Attachment Method

- M - Bracket with Modular Spacer
- B - Modular Spacer

④ Thread type

- Nil - Rc(PT)
- N - NPT
- G - G(PF)

⑤ Port Size

Symbol	Size	Body size				
		150	250	350	450	550
02	1/4	●				
03	3/8		●			
04	1/2			●		
06	3/4				●	●
10	1					●

⑥ Accessory(Optional)

- Nil - Manual Drain / None gauge
- D - Auto drain

Symbol	Drain connector	Material
D	One-touch fitting(Φ6mm)	Acetal
Dn	Nipple(PT 1/8)	Brass

G - Gauge

G	Round type gauge
Gs	Square embedded type

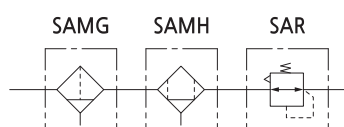
⑦ Case

- Nil - Metal bowl with flat type sight glass(MeF)
 - PcS - Polycarbonate bowl with Steel guard
 - MeP - Metal bowl with pipe type sight glass
- Note) 150 and 250 are the integral cover and bowl(MeF type)

⑧ Option

- Nil - None
- S - Differential Pressure Indicator

Symbol



Specification

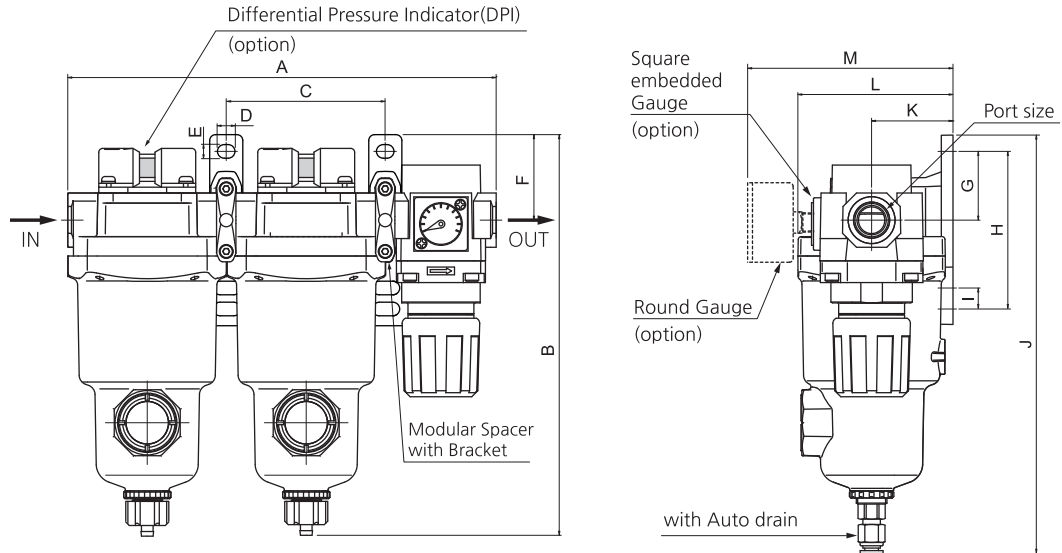
Composition	Water Separator + Micro Mist Separator with Prefilter + Regulator
Fluid	Compressed Air
Max. operating pressure	10bar (1.0MPa)
Max. supply pressure	15bar (1.5MPa)
Ambient and Media temp.	-5 ~ 60°C (No freezing)
Regulating range(SAR)	0.5~8.5bar (0.05~0.85MPa)
Filtration	SAMG(99% Removal rate of water) + SAMH(0.1+0.01µm)
Life of element	When pressure drop reached at 1bar
Construction(SAR)	Relief type

Precautions

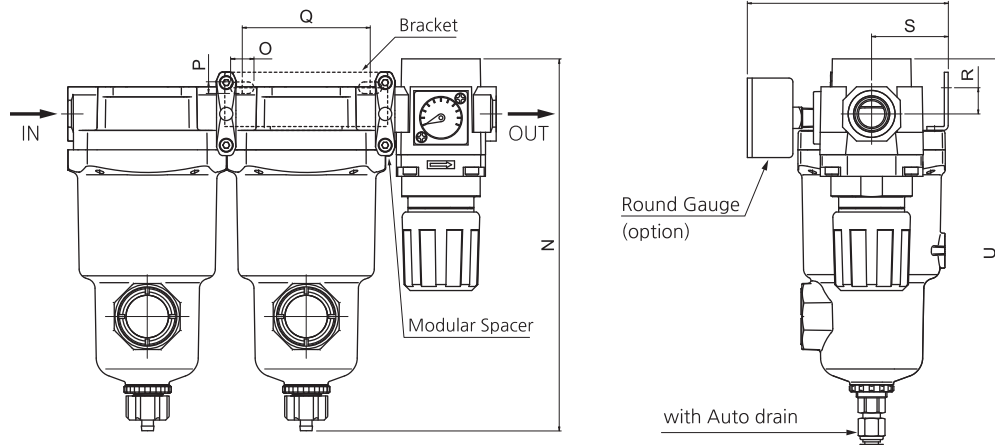
- ① Please consult with SKP when using the product in applications other than compressed air.
- ② Filter element should be changed after 2years of using or when pressure drop reached at 1bar(0.1MPa).
- ③ Components with a bowl must be installed vertically with the bowl downward so that faulty drain discharge and dripping can be verified.
- ④ Set the outlet pressure range for the regulator in a range that is 85% or less of the inlet pressure. If set above 85%, the inlet pressure will be easily effected by fluctuations in the flow rate and inlet pressure, and will become unstable.
- ⑤ To set the pressure using the knob, turn the knob in the direction that increases pressure and lock the knob after the pressure is set. If this is done in the direction that decreases pressure, the pressure may drop from the original set pressure. Turning the knob clockwise increases the outlet pressure, and turning it counterclockwise reduces the pressure.
- ⑥ When auto drain is used, drain piping should be both 4mm or greater in diameter and less than 1m in length. Also should avoid setting drain piping upwards.
- ⑦ When auto drain is used it is recommended to use at least 1.5bar pressure.
- ⑧ When auto drain is out of order, it is possible to drain manually by operating one-touch fitting vertically upwards.

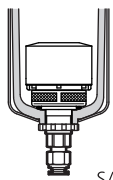


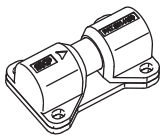
DIMENSIONS (mm)

SAMU 150~250



■ Dimensions of each model with an option attached



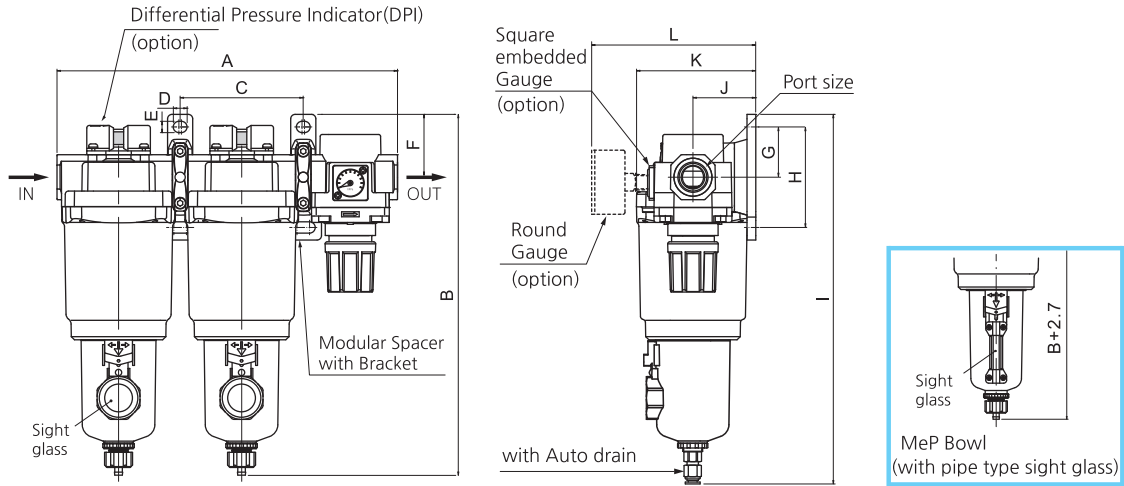
Option	D : Auto Drain	Gauge		S : Differential Pressure Indicator
		G : Round type	Gs : Square embedded type	
품명	 SAD400	 G40, R1/8	 Gs28	

Model	Port size	A	B	C	D	E	F	G	H	I	J	K	L	M	N	O	P	Q	R	S	T	U
SAMU150	1/4	177	178	67	6.5	5.5	30	24	57	9	185	35	66.5	90	176	9.5	6	56	19.7	33.6	88.6	183
SAMU250	3/8	221	207	82	9	7	43.3	35	70	-	214	41	79	99	192	12	6	66	13.5	39.5	97.5	199

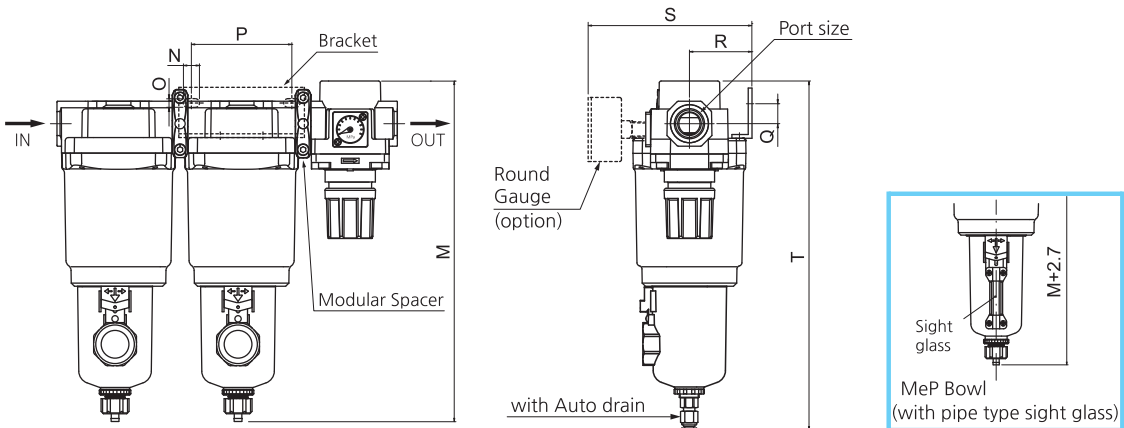
Series SAMU

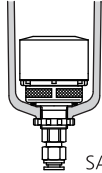


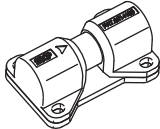
DIMENSIONS (mm)

SAMU 350~550



■ Dimensions of each model with an option attached



Option	D : Auto Drain	Gauge		S : Differential Pressure Indicator
		G : Round type	Gs : Square embedded type	
Model	 SAD400	 G50, R1/4	 Gs28	

Model	Port size	A	B	C	D	E	F	G	H	I	J	K	L	M	N	O	P	Q	R	S	T
SAMU350	1/2	271	285.1	98	11	9	50	40	80	292.1	50	95	122	269	13	7	80	15.9	49.8	121.8	276
SAMU450	3/4	302.7	301.5	114	11	9	50	40	80	308.5	55	108	127	286	14	9	90	13.5	56.2	128.2	393
SAMU550	3/4, 1	355	350.2	130	13	11	62.7	50	100	357.2	70	131	148.5	330.4	17.6	8.8	100	21	64.5	143	337.4