

Speed Controller (SAS)

SAS2000~6000 Series



SAS6000



SAS5000



SAS4000

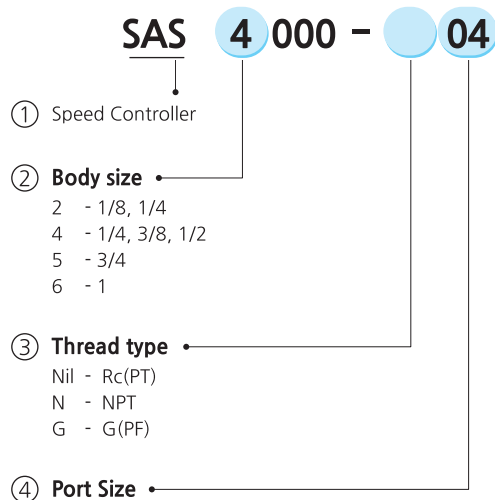


SAS2000-02



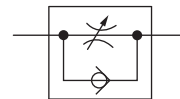
SAS2000-01

How to order



Symbol	Size	Body size			
		2	4	5	6
01	1/8	●			
02	1/4	●	●		
03	3/8		●		
04	1/2		●		
06	3/4			●	
10	1				●

Symbol



Specification

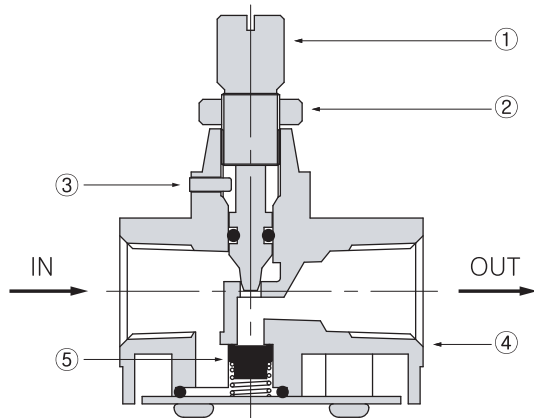
Fluid	Compressed Air
Max. supply pressure	10bar (1.0MPa)
Max. operating pressure	15bar (1.5MPa)
Ambient temperature	-5~60°C (No freezing)

Precautions

- ① This products are not designed for the use as stop valve with zero air leakage. A certain amount of leakage is allowed in the products specifications. Tightening the needle to reduce leakage to zero may result in equipment damage.
- ② Confirm that the lock nut is tightened. A loose lock nut may cause speed changes in the actuator.
- ③ When a needle valve is turned clockwise, it is closed and cylinder speed decreases. When a needle valve is turned counterclockwise, it is open and cylinder speed increases.

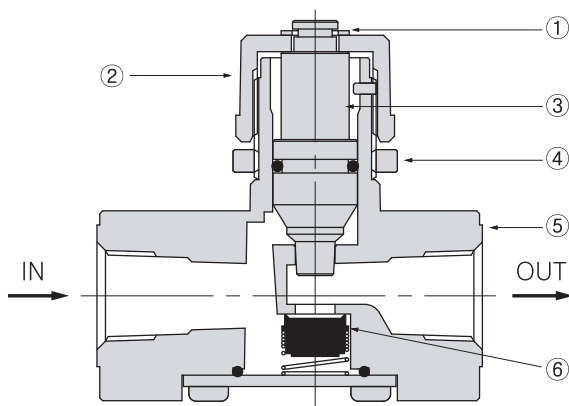
STRUCTURE / PARTS

SAS 2000



No.	PARTS	MATERIAL
①	Handle	Brass
②	Handle nut	Brass
③	Stopper pin	Brass
④	Body	ALDC
⑤	Check valve	NBR

SAS 4000

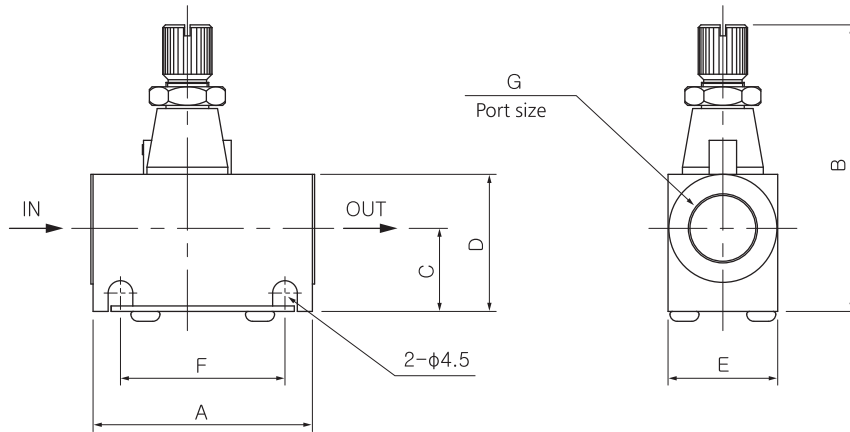


No.	PARTS	MATERIAL
①	E-ring	-
②	Handle	ABS
③	Handle nut	ABS
④	Handle nut	ABS
⑤	Body	ALDC
⑥	Check valve	NBR

Series SAS2000~6000

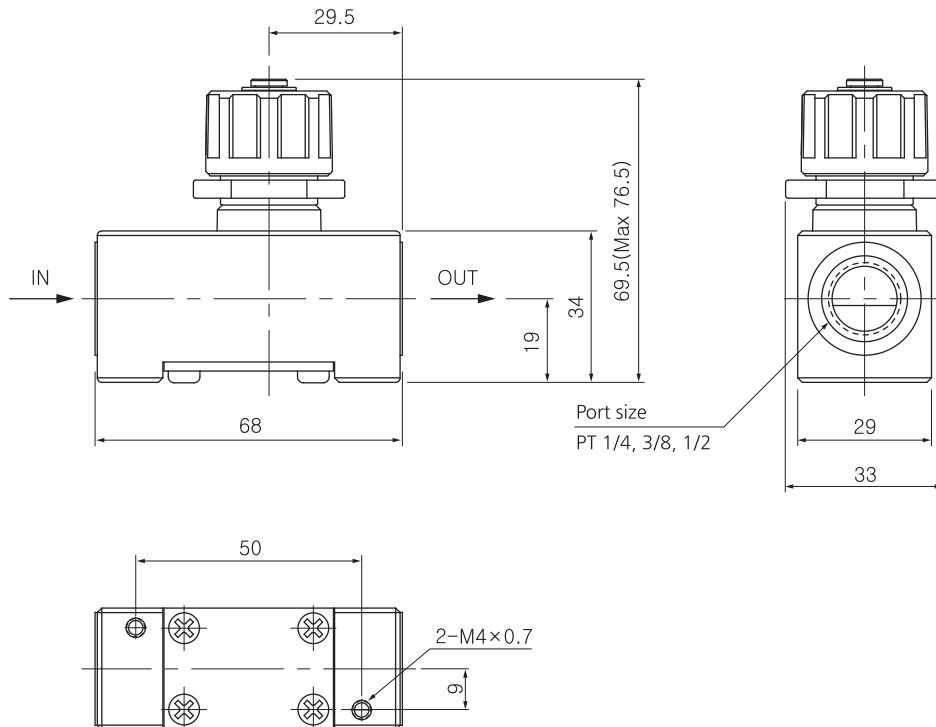
DIMENSIONS (mm)

SAS 2000



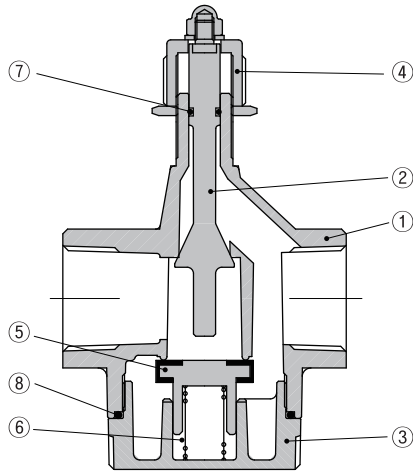
Model	A	B	C	D	E	F	G
SAS 2000-01	40	51	15	21.5	16	30	1/8
SAS 2000-02	40	53	17	25	20	30	1/4

SAS 4000



STRUCTURE / PARTS

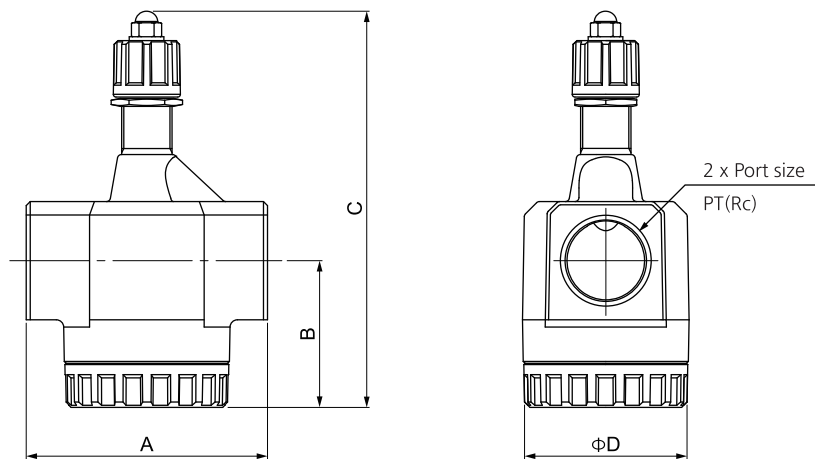
SAS 5000~6000



No.	PARTS	MATERIAL	
		SAS5000	SAS6000
①	Body	ALDC	
②	Niddle	Brass	
③	Cover	ALDC	
④	Handle	ALDC	
⑤	Check valve	NBR, Br	
⑥	Spring	SUS	
⑦	O-ring	NBR	
⑧	O-ring	NBR	

DIMENSIONS (mm)

SAS 5000~6000



Model	Port size	A	B	C	D
SAS 5000	3/4	74	42	121	49
SAS 6000	1	90	55.5	145	61.5