

# Air Unit (SAU250~450 Series)

Mist Separator + Micro Mist Separator + Air Regulator



SAU 350

SAU 450

## How to order

**SAU 4 50 - 04 DG - MeP**

- Air Unit**
- Body Size**  
2 - 1/4  
3 - 3/8  
4 - 1/2
- Composition**  
50 — Mist Separator(SAFM)  
— Micro Mist Separator(SAFD)  
— Regulator(SAR)
- Thread type**  
Nil - Rc(PT)  
N - NPT  
G - G(PF)
- Port size**

기호	사이즈	몸체 사이즈		
		2	3	4
01	1/8	●		
02	1/4	●	●	
03	3/8		●	
04	1/2			●
06	3/4			●
- Accessory(Optional)**  
Nil - None gauge / Manual Drain  
D - Auto Drain

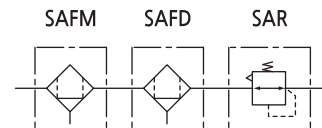
Symbol	Description	Body		
		2	3	4
D	One-touch fitting type	●	●	●
Dn	Nipple(PT1/8) type	-	●	●
Df	SAFM, SAFD200 Float type	●	-	-

주) 1. SAFM, SAFD200 are differential pressure type.  
2. SAFM, SAFD300~400 are float type.

G - Gauge

G	Round type gauge
Gs	Square embedded type
- Bowl**  
Nil - Polycarbonate bowl with Nylon guard  
MeP - Polycarbonate bowl with Steel guard  
MeP - Metal bowl with pipe type sight glass

## Symbol



## Specification

Composition	Mist Separator + Micro Mist Separator + Regulator
Fluid	Compressed Air
Max. operating pressure	10bar (1.0MPa)
Max. supply pressure	15bar (1.5MPa)
Ambient and Media temp.	-5 ~ 60°C (No freezing)
Regulating range(SAR)	0.5~8.5bar (0.05~0.85MPa)
Filtration	SAFM:0.1μm + SAFD:0.01μm
Bowl material(SAF, SAFM)	Poly-carbonate (option: ALDC)
Bowl Guard Material	Nylon
Construction(SAR)	Relief type

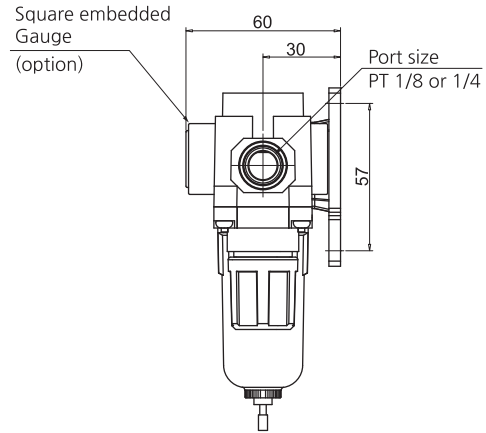
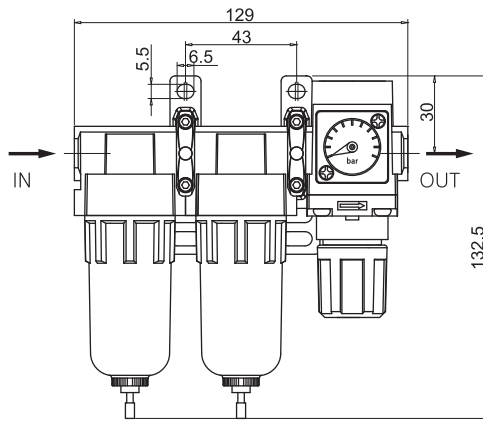
## Precautions

- Do not use Poly-carbonate bowls in an environment where they are exposed to or come in contact with organic solvents, chemicals, cutting oil, synthetic oil, alkali, and thread lock solutions.
- Components with a bowl must be installed vertically with the bowl downward so that faulty drain discharge and dripping can be verified.
- Set the outlet pressure range for the regulator in a range that is 85% or less of the inlet pressure. If set above 85%, the inlet pressure will be easily effected by fluctuations in the flow rate and inlet pressure, and will become unstable.
- To set the pressure using the knob, turn the knob in the direction that increases pressure and lock the knob after the pressure is set. If this is done in the direction that decreases pressure, the pressure may drop from the original set pressure. Turning the knob clockwise increases the outlet pressure, and turning it counterclockwise reduces the pressure.
- When auto drain is used, drain piping should be both 4mm or greater in diameter and less than 1m in length. Avoid installing drain piping upwards.
- When auto drain is inoperable, drain manually by pushing the one-touch fitting upward.

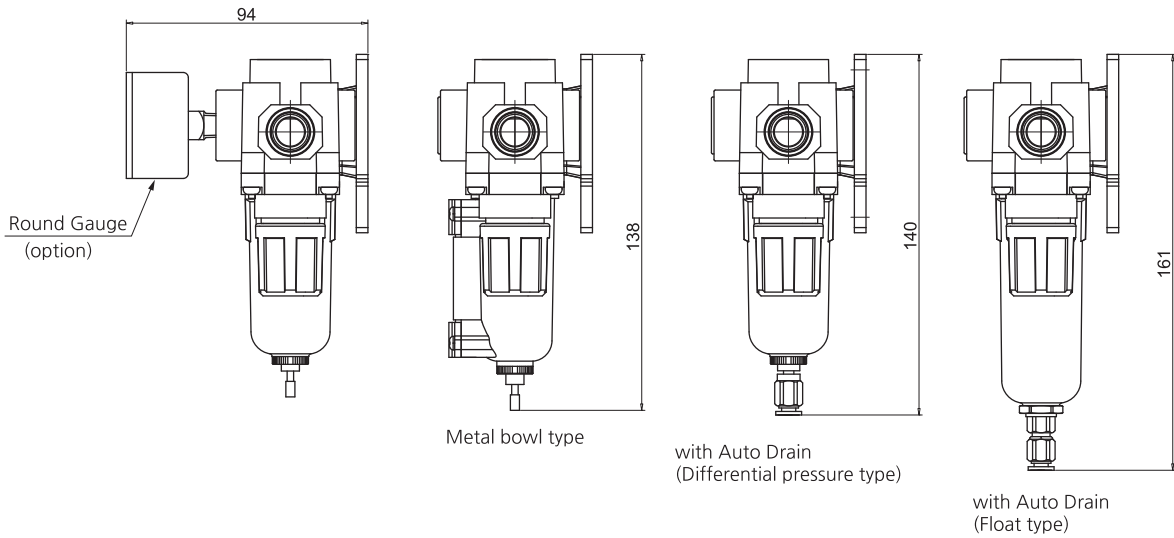
**DIMENSIONS (mm)**

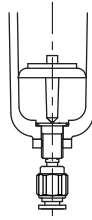
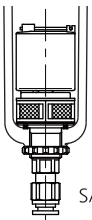


**SAU 250**

- SAU250-□02□□-□



- Dimensions of each model with an option attached



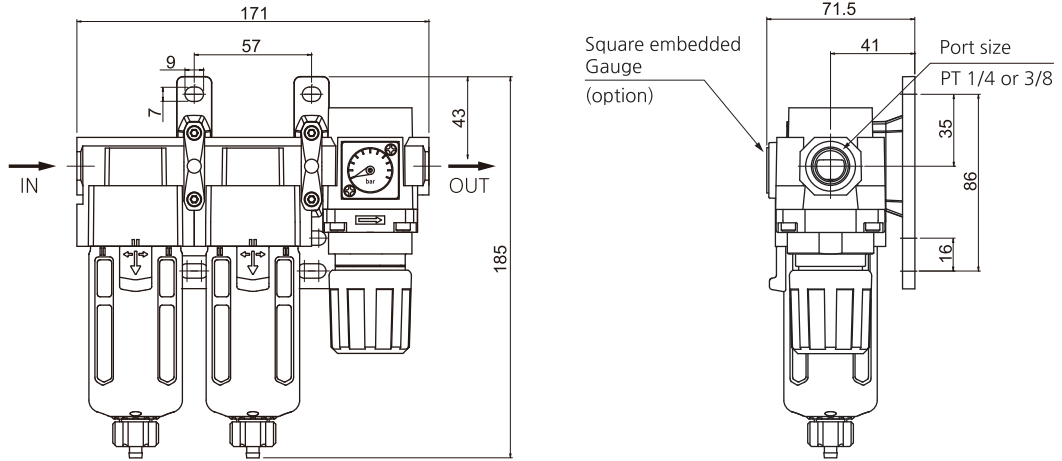
Option	Auto Drain		Gauge	
	D : Differential pressure type	Df : Float type	G : Round type	Gs : Square embedded type
Model		 SAD200	 G40, R1/8	 Gs28

# Series SAU250~450

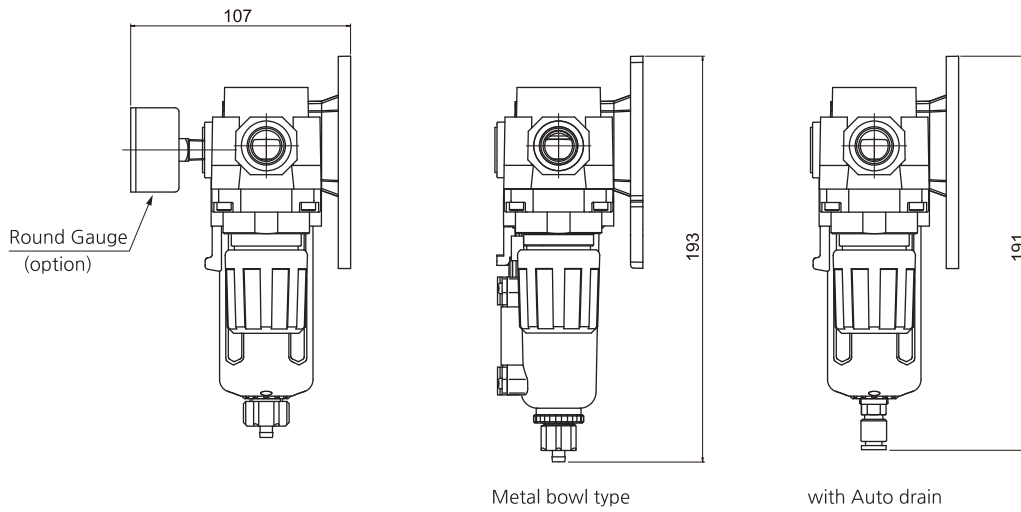
## DIMENSIONS (mm)

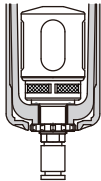


### SAU 350

- SAU350-□03□□-□



- Dimensions of each model with an option attached

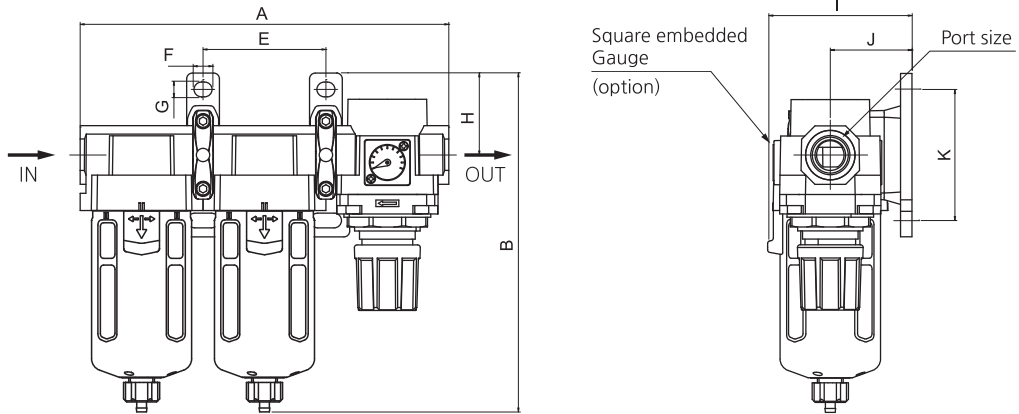


Option	D : Auto Drain	Gauge	
		G : Round type	Gs : Square embedded type
Model	 SAD300	 G40, R1/8	 Gs28

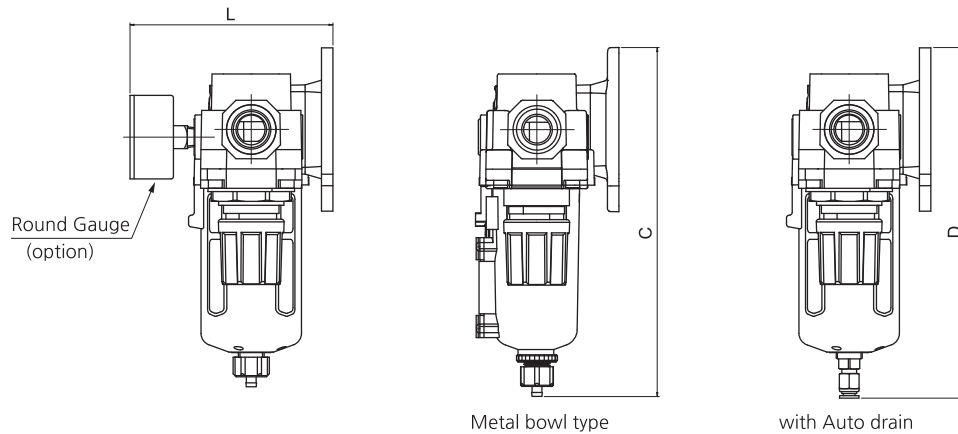
**DIMENSIONS (mm)**

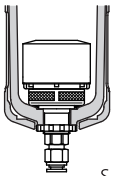


**SAU 450**

- SAU450-□04□□-□
- SAU450-□06□□-□



■ Dimensions of each model with an option attached



Option	D : Auto Drain	Gauge	
		G : Round type	Gs : Square embedded type
Model	 SAD400	 G50, R1/4	 Gs28

품명	관접속구경	A	B	C	D	E	F	G	H	I	J	K	L
SAU450-04	1/2	150	207	212	214	75	11	9	50	87.5	50	80	127
SAU450-06	3/4	150	211	216	218	75	11	9	50	87.5	50	80	127