

Air Unit for High Pressure (SAU)

SAU220H~620H



SAU220H



SAU320H

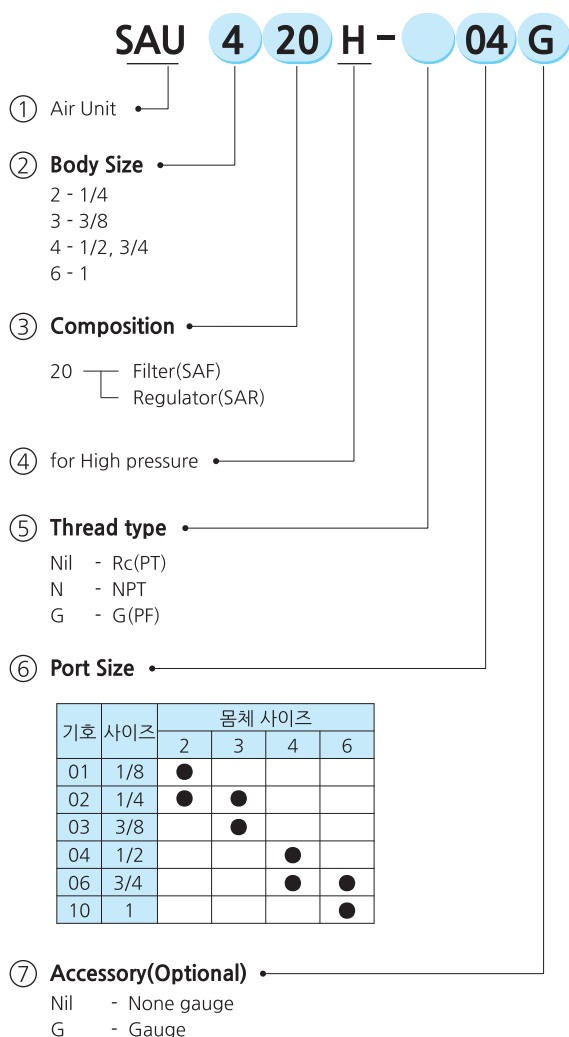


SAU420H



SAU620H

How to order



Specification

Fluid	Compressed Air
Max. operating pressure	20bar (2MPa)
Max. supply pressure	30bar (3MPa)
Ambient and Media temp.	-5 ~ 60°C (No freezing)
Regulating range(SAR, SAW)	1~17bar (0.1~1.7MPa)
Filtration(SAF, SAW)	5µm (option: 2, 10, 20, 40)
Bowl material(SAF)	ALDC
Construction(SAR)	Relief type

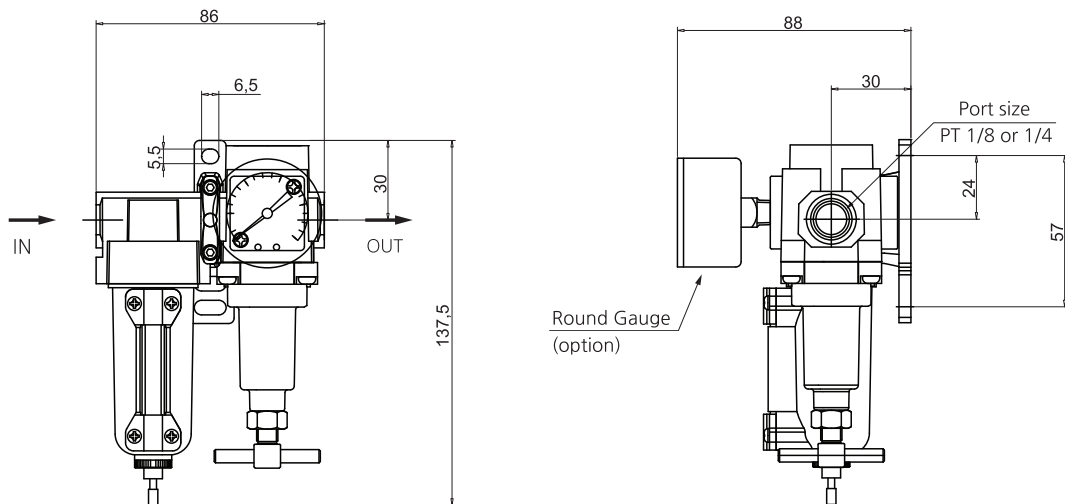
Precautions

- ① Do not operate at pressures or temperatures, etc., beyond the range of specifications, as this can cause damage or malfunction. (Refer to the specifications.)
- ② Components with a bowl must be installed vertically with the bowl downward so that faulty drain discharge and dripping can be verified.
- ③ If condensation in the drain bowl is not emptied on a regular basis, the bowl will overflow and allow the condensation to enter the compressed air lines. It causes malfunction of pneumatic equipment. Remove drainage from air filters regularly.
- ④ Set the outlet pressure range for the regulator in a range that is 85% or less of the inlet pressure. If set above 85%, the inlet pressure will be easily effected by fluctuations in the flow rate and inlet pressure, and will become unstable.
- ⑤ To set the pressure using the knob, turn the knob in the direction that increases pressure and lock the knob after the pressure is set. If this is done in the direction that decreases pressure, the pressure may drop from the original set pressure. Turning the knob clockwise increases the outlet pressure, and turning it counterclockwise reduces the pressure.
- ⑥ Avoid riser piping and branch lines on the outlet side to prevent inferior lubrication.

Air Unit for High Pressure

DIMENSIONS (mm)

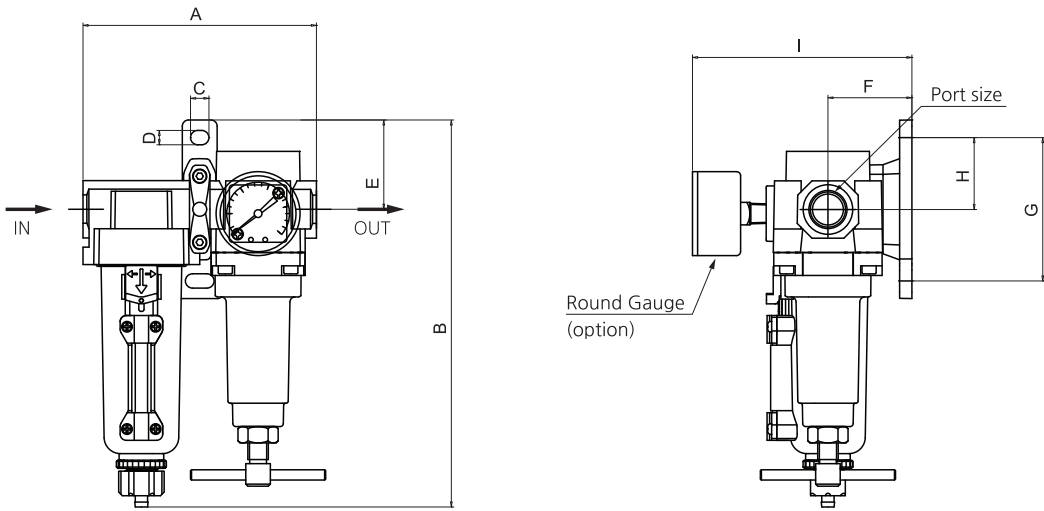
SAU 200H



Series SAU220H~620H

DIMENSIONS (mm)

SAU 320H~420H



Model	Port size	A	B	C	D	E	F	G	H	I
SAU320H-03	1/4, 3/8	114	178	9	7	43	41	70	35	107
SAU420H-04	1/2	150	210	11	9	50	50	80	40	127
SAU420H-06	3/4	150	212	11	9	50	50	80	40	127

Air Unit for High Pressure

DIMENSIONS (mm)

SAU 620H

