

AutoDrain Kit (SAD)

SAD200~400 Series

- Convenient use by attached one-touch fitting.
- Auto-drain kit for both automatic and manual operation.
- Diverse port size for drain hose allows for various options.



SAD200



SAD300

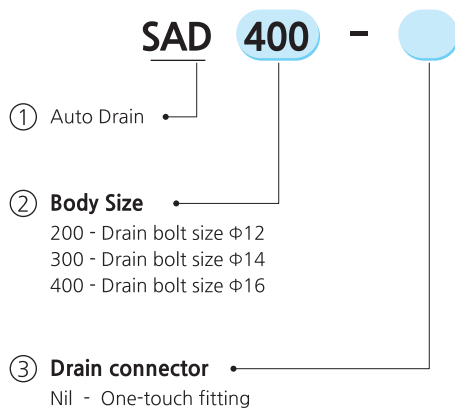


SAD400



SAD400-N

How to order

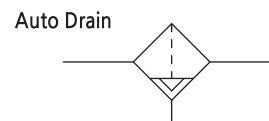


Body size	Drain guide
200	$\Phi 4$
300	$\Phi 6$
400	$\Phi 6$

N - Nipple Rc(PT) 1/8

Note) SAD200 does not have nipple type.

Symbol



Specification

Fluid	Compressed air
Max. operating pressure	10bar (1.0MPa)
Min. operating pressure	1.5bar (0.15MPa)
Max. supply pressure	15bar (1.5MPa)
Ambient and media temp.	1.5~60°C
Pressure to close drain	Greater than 0.5bar
Pressure to open drain	Less than 0.3bar

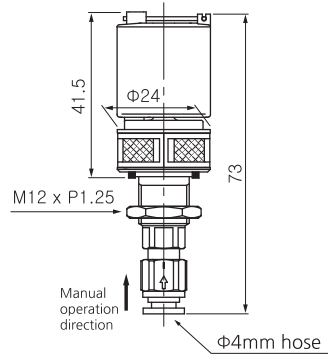
Material

- Cylinder, Cover and Buoy : Acetal
- Gaskets : NBR
- Packing and Valve : NBR
- Spring : Stainless steel
- PIF collet : Zn plated diecasting
- O-ring : NBR
- One-touch fitting, Manual pusher : Br

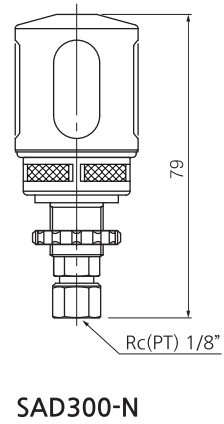
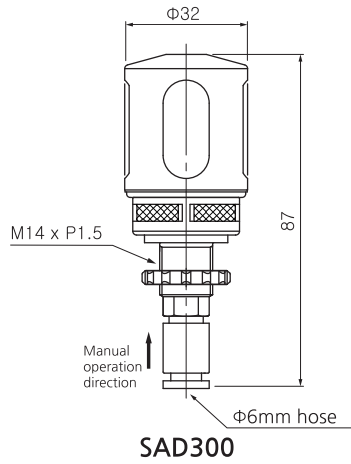
Series SAD200~400

DIMENSIONS (mm)

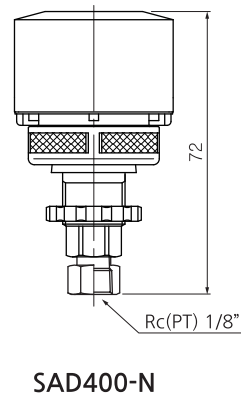
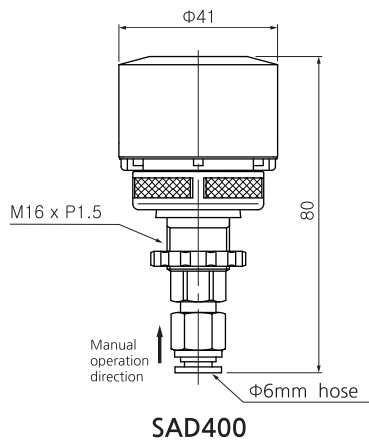
SAD 200



SAD 300



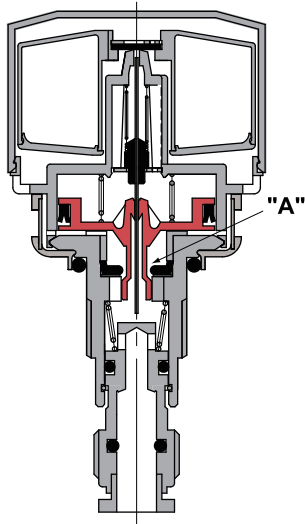
SAD 400



Working principle

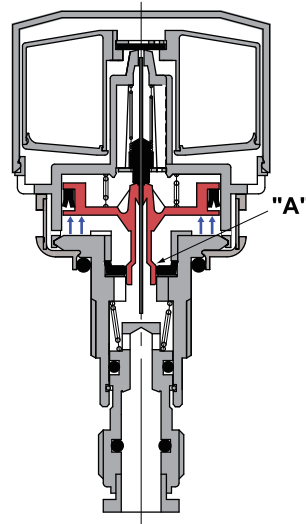
① When unpressurized up to ~0.5 bar

Spring pushes down the piston and opens "A" to drain air in the bowl.



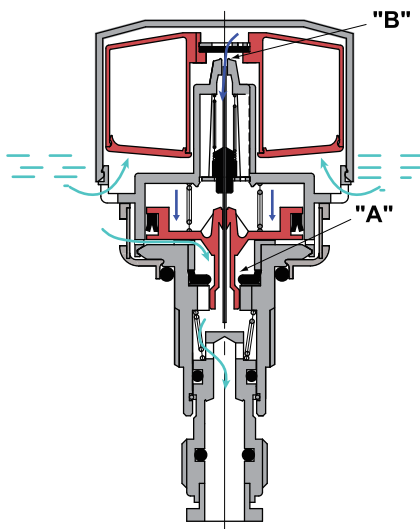
② When pressure is above 0.5 bar in the bowl

Pressure surpasses the force of spring and closes "A" to seal the bowl.



③ When there is accumulation in the bowl

Collected liquid lifts the float to open valve "B" allowing pressurized air to enter and push the piston down to open "A" to drain.



Manual Operation

When the fitting is pushed upward, float is lifted thus opening the valve "B" to let pressurized air to enter and push the piston down to open "A" to drain.

