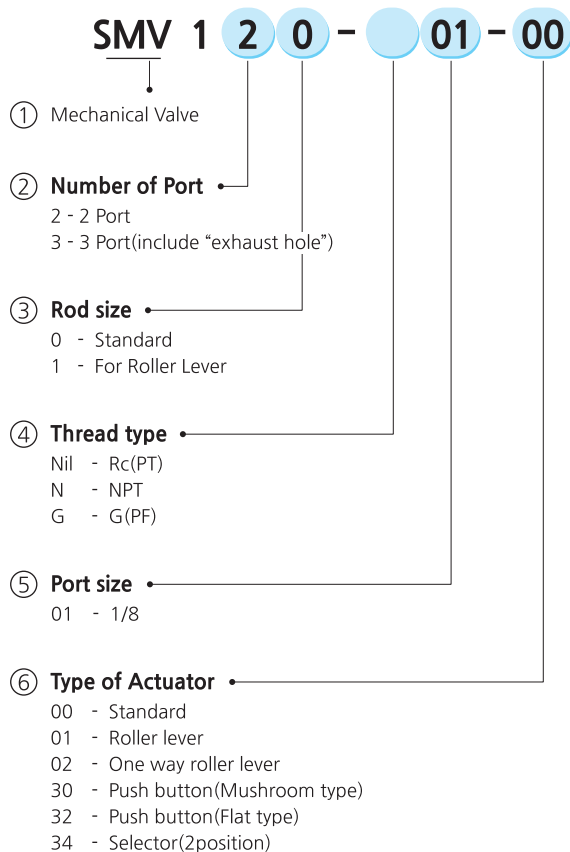


Mechanical Valve (SMV)

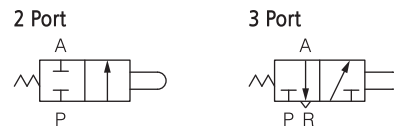
SMV100 Series (Rc(PT) 1/8)



How to order



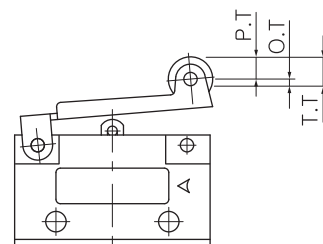
Symbol



Specification

Fluid	Compressed Air
Max. operating pressure	0~10bar (0~1MPa)
Ambient and Media temp.	-5~60°C (No freezing)
Effective orifice(Cv)	2.5mm ² (0.14)
Lubrication	Not required
Port size	1/8

Operating point of Mechanical valve

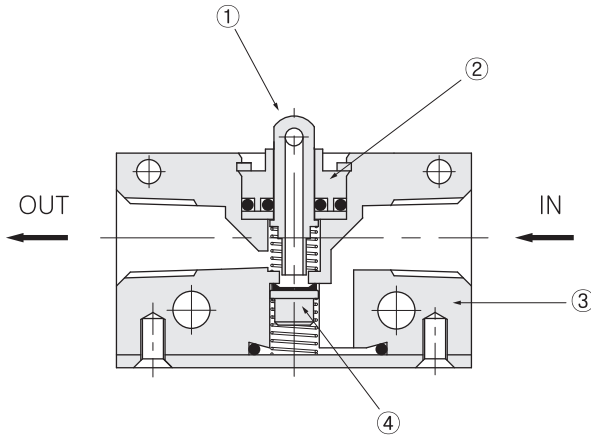


P.T.	From the free position to the operating position of actuator
O.T.	From the operating position to the operating limit of actuator
T.T.	From the free position to the operating limit of actuator

Series SMV100

STRUCTURE / PARTS

SMV 100



No.	PARTS	MATERIAL
①	Rod	A2011
②	Rod guide	Brass
③	Body	ALDC
④	Check valve	NBR

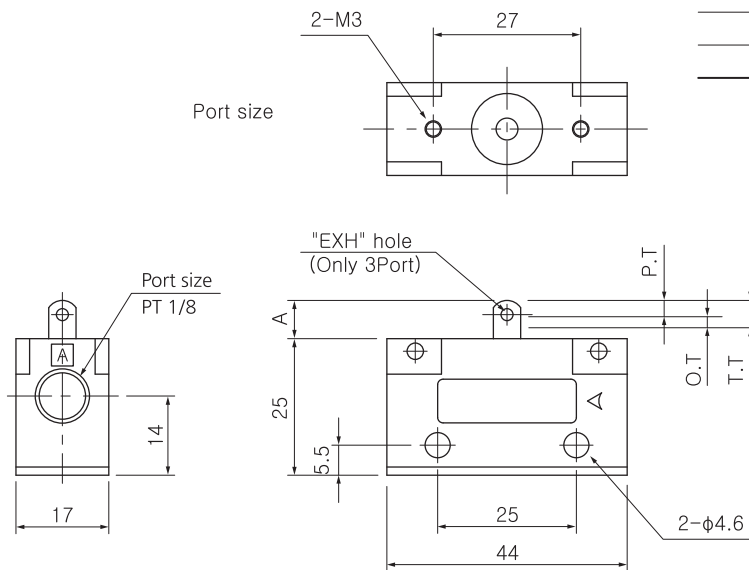
DIMENSIONS (mm)

SMV 120-01-00

- 121-01-00
- 130-01-00
- 131-01-00

Model	A
SMV120	7.5
SMV130	
SMV121	5.0
SMV131	

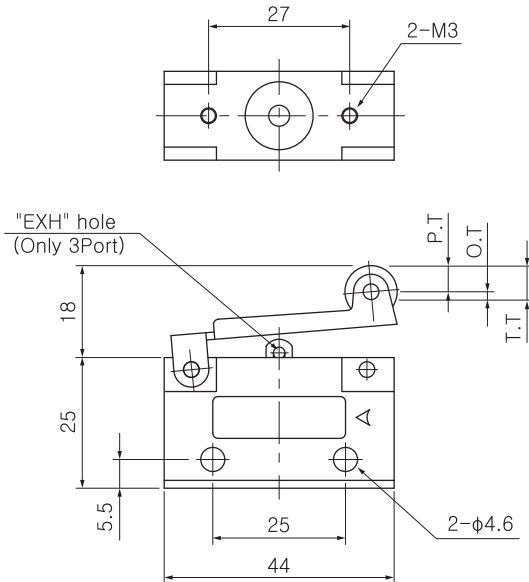
P.T.	1.1
O.T.	3
T.T.	4.1



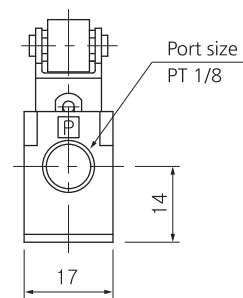
DIMENSIONS (mm)

SMV 121-01-01

131-01-01

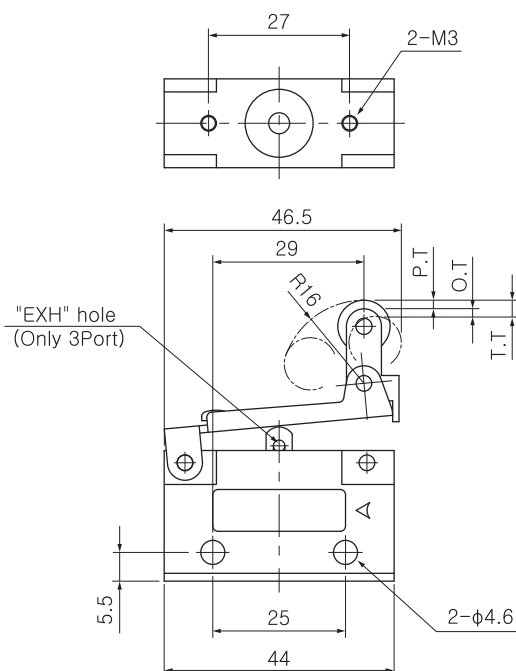


P.T.	2.1
O.T.	4
T.T.	6.1

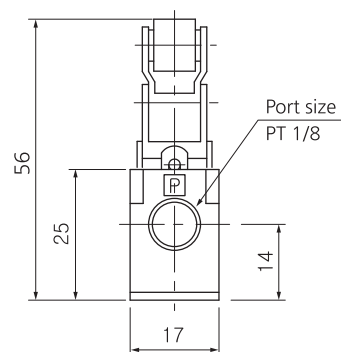


SMV 121-01-02

131-01-02



P.T.	2.1
O.T.	4
T.T.	6.1



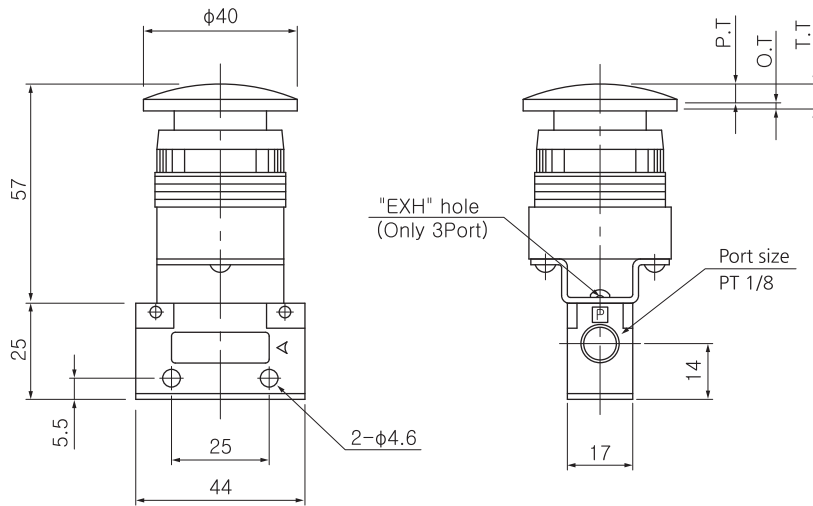
Series SMV100

DIMENSIONS (mm)

SMV 120-01-30

130-01-30

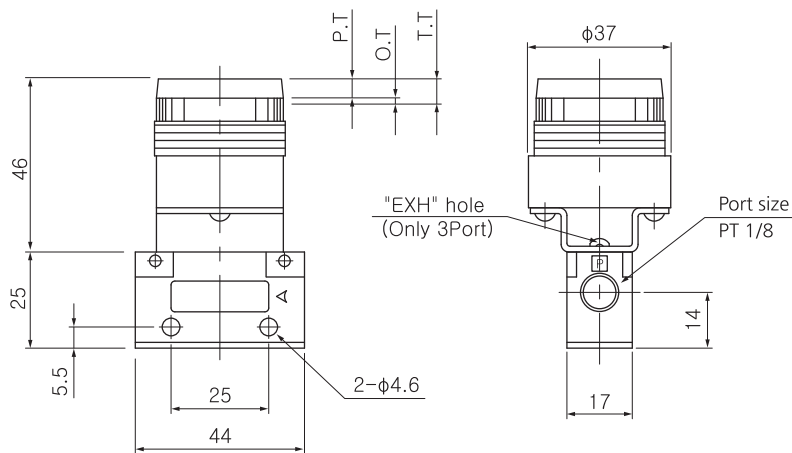
P.T.	5.4
O.T.	2.4
T.T.	7.8



SMV 120-01-32

130-01-32

P.T.	5.4
O.T.	2.4
T.T.	7.8



DIMENSIONS (mm)

SMV 120-01-34

130-01-34

T.T.	90°
------	-----

