

5port Pilot type Mechanical Valve (SMVF)

SMVF250 Series (Rc(PT) 1/4)

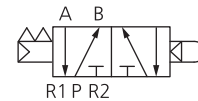


How to order

SMVF 2 5 0 - 02 - 00

- ① Pilot type Mechanical Valve
- ② Number of Port
5 - 5 Port
- ③ Thread type
Nil - Rc(PT)
N - NPT
G - G(PF)
- ④ Port size
02 - 1/4
- ⑤ Type of Actuator
 - 00 - Standard
 - 01 - Roller lever
 - 01S - Roller lever(Bearing type)
 - 02 - One way roller lever
 - 02S - One way roller lever(Bearing type)
 - 30 - Push button(Mushroom type)
 - 32 - Push button(Flat type)
 - 34 - Selector(2position)

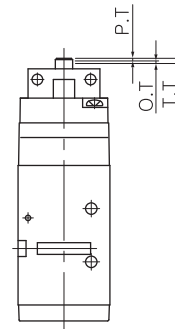
Symbol



Specification

Fluid	Compressed Air
Max. operating pressure	1.5~10bar (0.15~1MPa)
Ambient and Media temp.	-5 ~ 60°C (No freezing)
Effective orifice(Cv)	19mm ² (1.0)
Lubrication	Not required
Port size	1/4

Operating point of Mechanical valve

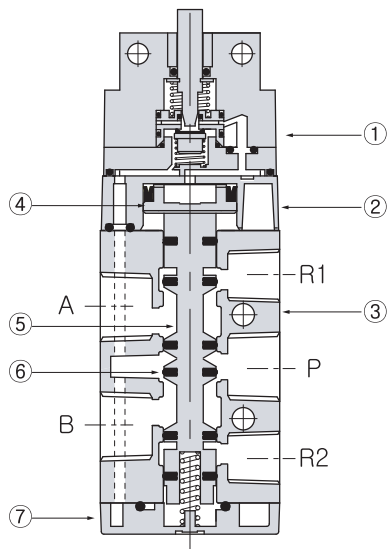


P.T.	From the free position to the operating position of actuator
O.T.	From the operating position to the operating limit of actuator
T.T.	From the free position to the operating limit of actuator

Series SMVF250

STRUCTURE / PARTS

SMVF 250

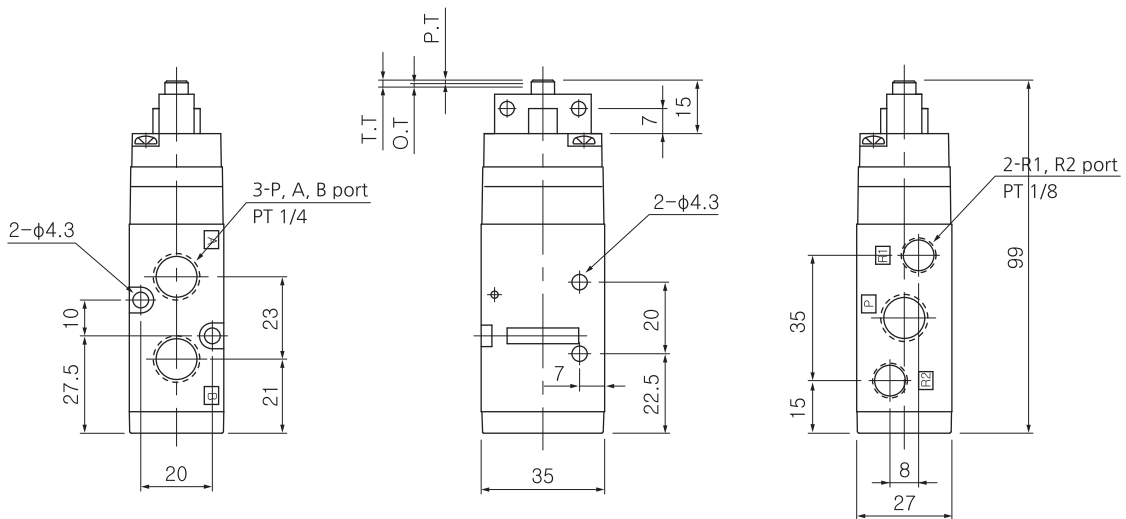


No.	PARTS	MATERIAL
①	Pilot guide	ZnDC
②	Pilot cylinder	N66G
③	Body	ALDC
④	Piston	POM
⑤	Spool	A2011
⑥	I-ring	NBR
⑦	Cover	ALDC

DIMENSIONS (mm)

SMVF 250-02-00

P.T.	1
O.T.	2
T.T.	3



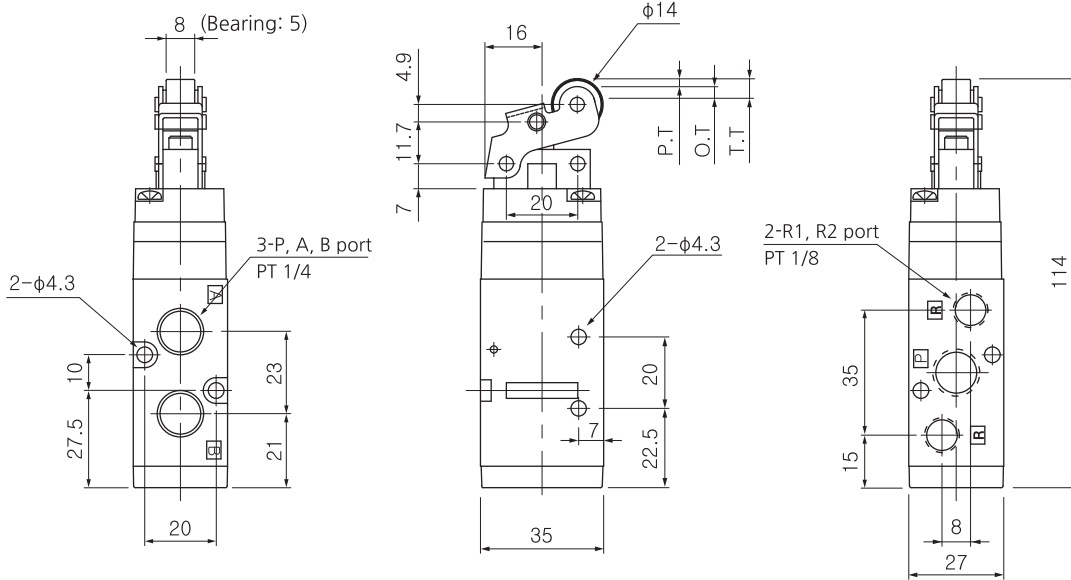
Pilot type Mechanical Valve

DIMENSIONS (mm)

SMVF 250-02-01

250-02-01S

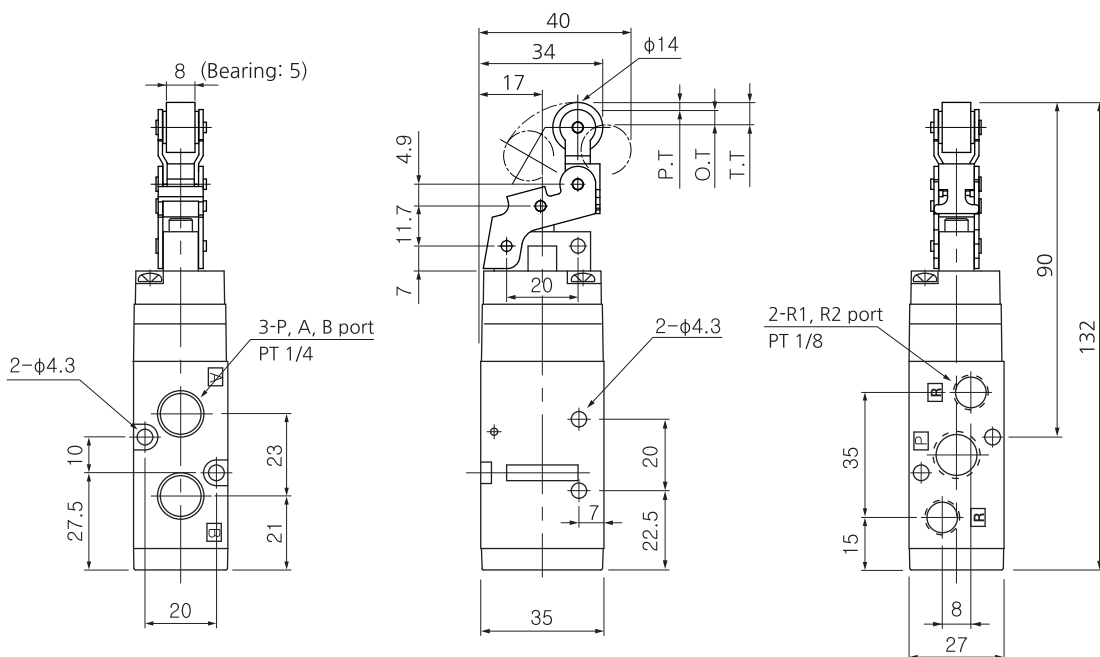
P.T.	2.2
O.T.	4
T.T.	6.2



SMVF 250-02-02

250-02-02S

P.T.	2.2
O.T.	4
T.T.	6.2

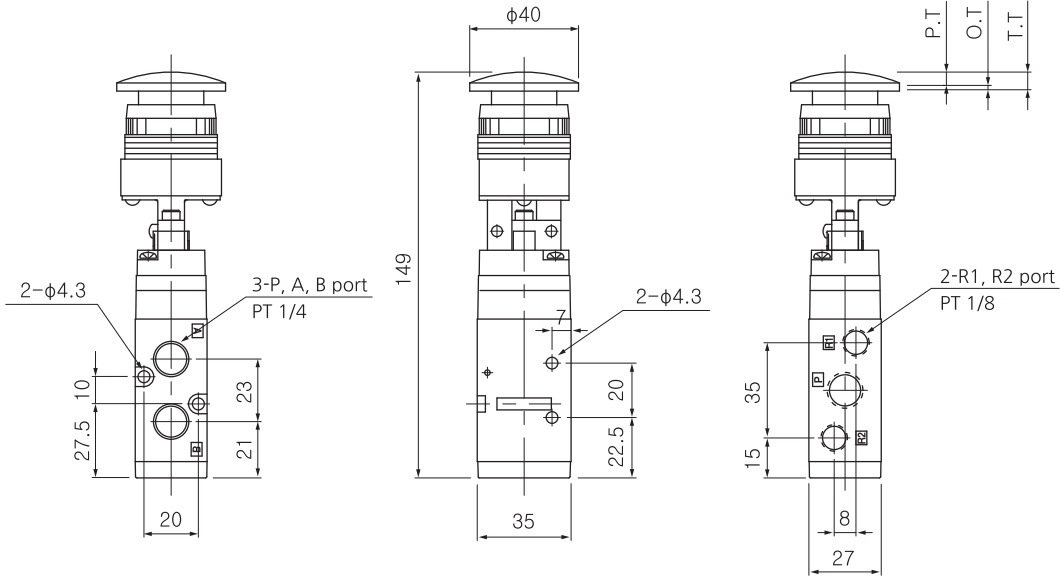


Series SMVF250

DIMENSIONS (mm)

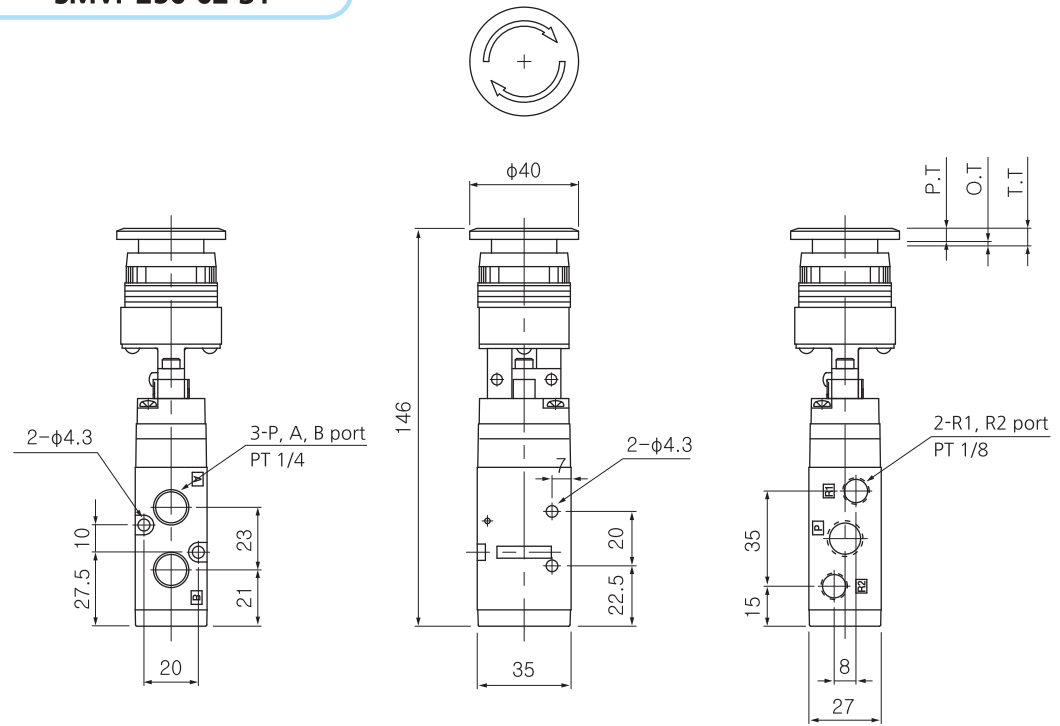
SMVF 250-02-30

P.T.	5.5
O.T.	2
T.T.	7.5



SMVF 250-02-31

T.T.	8
------	---

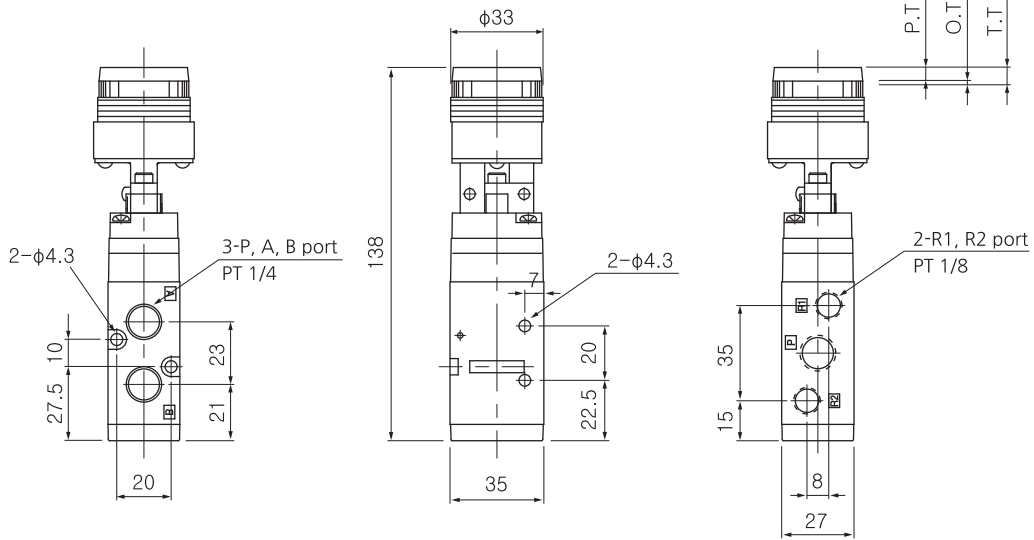


Pilot type Mechanical Valve

DIMENSIONS (mm)

SMVF 250-02-32

P.T.	6
O.T.	2
T.T.	8



SMVF 250-02-34

T.T.	90°
------	-----

