

5port Pilot type Mechanical Valve (SMVF)

SMVF350 Series (Rc(PT) 3/8)

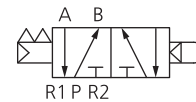


How to order

SMVF 3 5 0 - 03 - 01

- ① Pilot type Mechanical Valve
- ② Number of Port
5 - 5 Port
- ③ Thread type
Nil - Rc(PT)
N - NPT
G - G(PF)
- ④ Port size
03 - 3/8
- ⑤ Type of Actuator
 - 00 - Standard
 - 01 - Roller lever
 - 01S - Roller lever(Bearing type)
 - 02 - One way roller lever
 - 02S - One way roller lever(Bearing type)
 - 30 - Push button(Mushroom type)
 - 32 - Push button(Flat type)
 - 34 - Selector(2position)

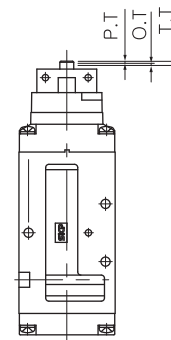
Symbol



Specification

Fluid	Compressed Air
Max. operating pressure	1.5~10bar (0.15~1MPa)
Ambient and Media temp.	-5~60℃ (No freezing)
Effective orifice(Cv)	45mm ² (2.4)
Lubrication	Not required
Port size	3/8

Operating point of Mechanical valve

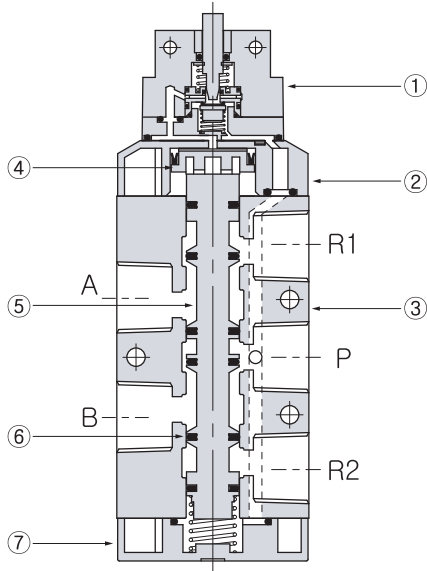


P.T.	From the free position to the operating position of actuator
O.T.	From the operating position to the operating limit of actuator
T.T.	From the free position to the operating limit of actuator

Pilot type Mechanical Valve

STRUCTURE / PARTS

SMVF 350

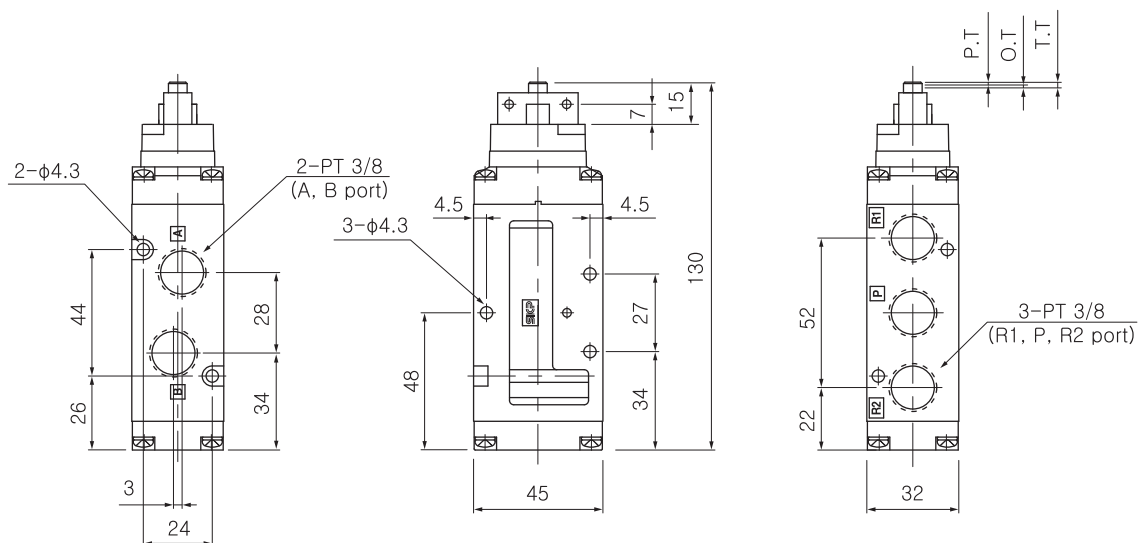


No.	PARTS	MATERIAL
①	Pilot guide	ZnDC
②	Pilot cylinder	N66G
③	Body	ALDC
④	Piston	POM
⑤	Spool	A2011
⑥	I-ring	NBR
⑦	Cover	ALDC

DIMENSIONS (mm)

SMVF 350-03-00

P.T.	1
O.T.	2
T.T.	3



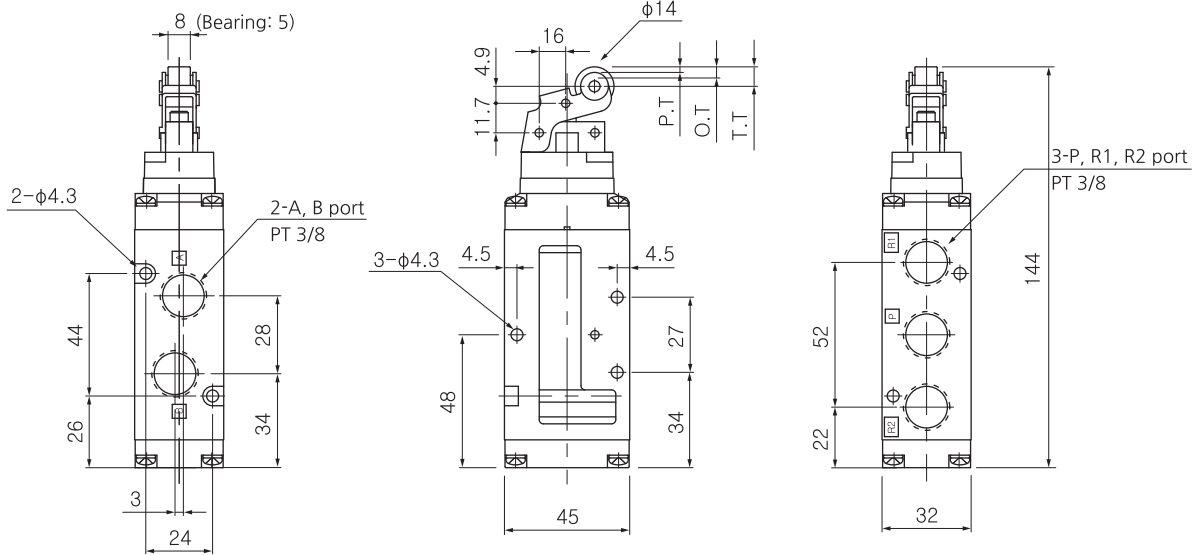
Series SMVF350

DIMENSIONS (mm)

SMVF 350-03-01

350-03-01S

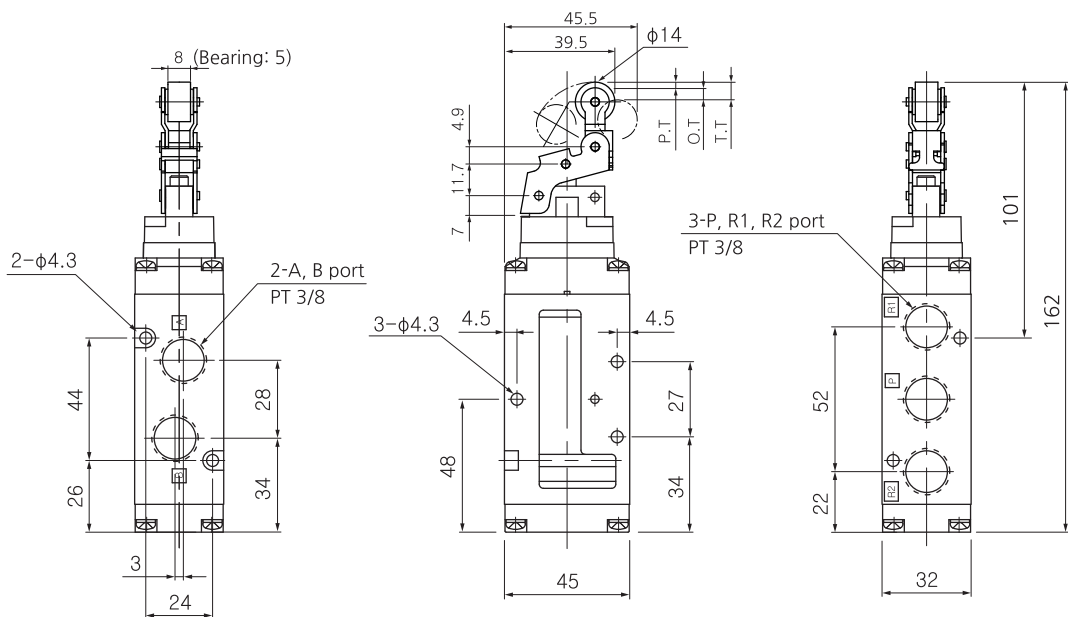
P.T.	2.2
O.T.	4
T.T.	6.2



SMVF 350-02-02

350-02-02S

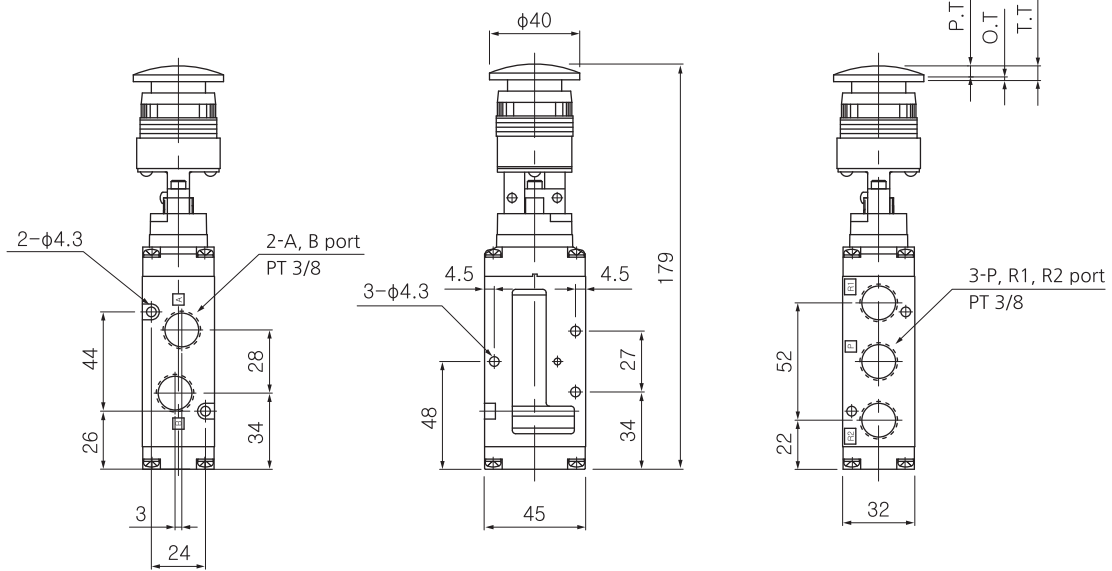
P.T.	2.2
O.T.	4
T.T.	6.2



Pilot type Mechanical Valve

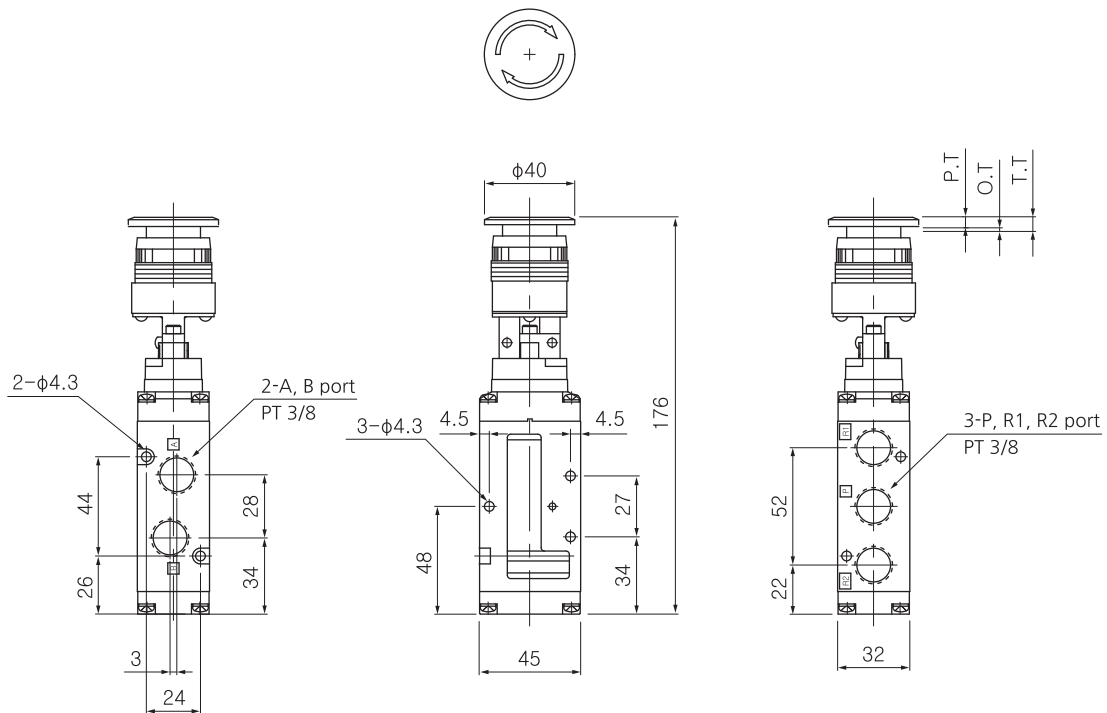
DIMENSIONS (mm)

SMVF 350-03-30



P.T.	5.5
O.T.	2
T.T.	7.5

SMVF 350-03-31



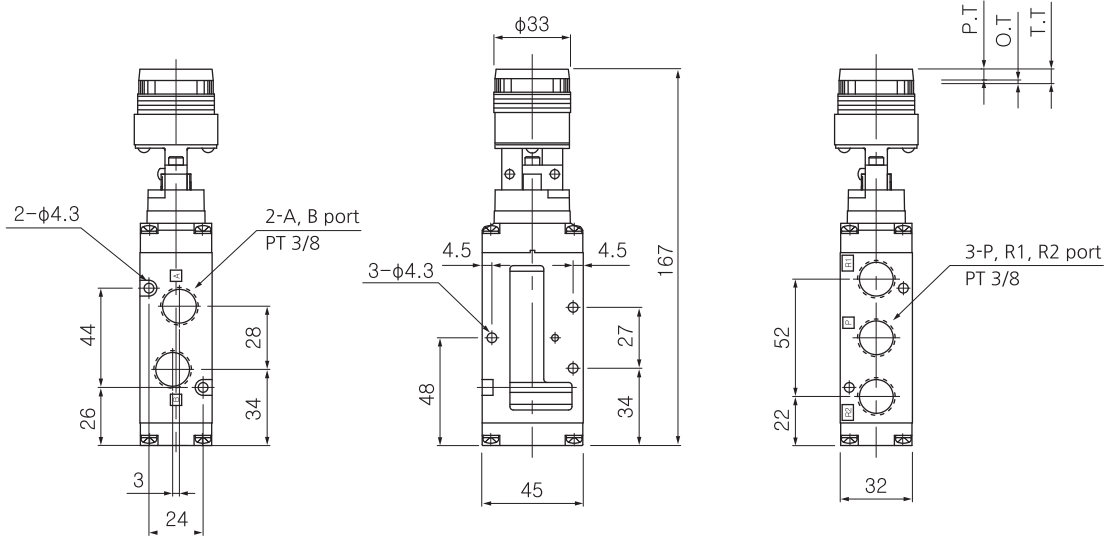
T.T.	8
------	---

Series SMVF350

DIMENSIONS (mm)

SMVF 350-03-32

P.T.	6
O.T.	2
T.T.	8



SMVF 350-03-34

T.T.	90°
------	-----

