

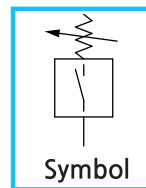
Pressure Switch (SPS)

SPS 100 Series

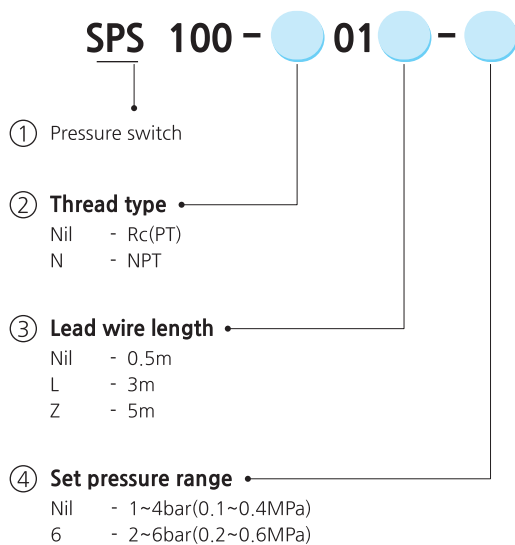


SPS100

- SPS100 is designed to easily detect a pressure drop of the air line.
- SPS100 can be connected to Modular type F.R.L. units.



How to order



Specification

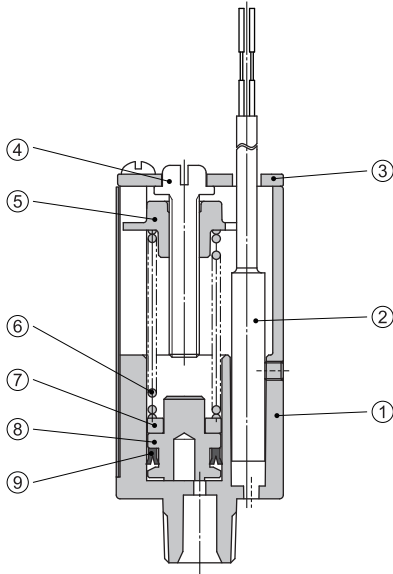
Fluid	Air	
Max. operating pressure	7bar (0.7MPa)	
Proof pressure	10bar (1MPa)	
Ambient and fluid temp.	-5~60°C (No freezing)	
Set pressure range	Nil	1~4bar (0.1~0.4MPa)
	6	2~6bar (0.2~0.6MPa)
Contacts	1a	
Error of scale	±0.5 bar (0.05 MPa) or less	
Hysteresis	1.2bar (0.12MPa)	
Repeatability	±0.5bar (0.05MPa) or less	
Wiring specifications	Grommet, Lead wire length: 0.5 m	
Port size	1/8	
Voltage	DC24V	AC100
Operating current range	50mA	20mA

Cautions

- ① Allowable operating fluids are either air or inert gas exclusively.
- ② Avoid use in vacuum applications. Switch may be imploded.
- ③ Connect load before connecting with power source. The switch will break instantly if no load is connected.
- ④ Make the wiring length as short as possible. (within 5m)
- ⑤ Do not use in an environment where water or oil is splashed. Since it is an open type construction, if water or oil come in contact with the internal parts, the electric circuit will be corroded and may result in a malfunction or damage.
- ⑥ Avoid using a switch in a magnetic environment. It may cause a malfunction.
- ⑦ Apply a wrench to the bottom of the product when screwing.
Turning it by applying a wrench on the top of the main body may cause damage to the product.
- ⑧ The pressure displayed on the scale plate is a guideline only. Measure the accurate pressure with the pressure gauge.

STRUCTURE / PARTS

SPS 100



No.	PARTS	MATERIAL
①	Body	ZnDC
②	Switch Ass'y	-
③	Cover	Steel sheet
④	Adjusting screw	Brass
⑤	Indicator	ALDC
⑥	Spring	SUS
⑦	Magnet	-
⑧	Piston	POM
⑨	Piston Packing	NBR

DIMENSIONS (mm)

SPS100

