

Spool type Mechanical Valve (SMVS)

SMVS230 Series (Rc(PT) 1/4)



How to order

SMVS 2 3 0 - 02 - 00

① Spool type Mechanical Valve

② Number of Port
3 - 3 Port

③ Thread type
Nil - Rc(PT)
N - NPT
G - G(PF)

④ Port size
02 - 1/4

⑤ Type of Actuator
00 - Standard
01S - Roller lever(Bearing type)
02S - One way roller lever(Bearing type)
30 - Push button(Mushroom type)
31 - Push button(ENG type)
32 - Push button(Flat type)
34 - Selector(2position)

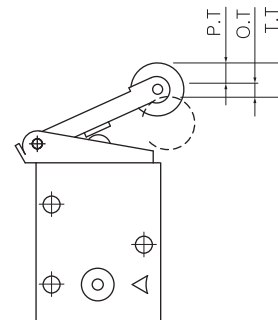
Symbol



Specification

| | |
|-------------------------|-----------------------|
| Fluid | Compressed Air |
| Max. operating pressure | 0~10bar (0~1MPa) |
| Ambient and Media temp. | -5~60°C (No freezing) |
| Lubrication | Not required |
| Port size | 1/4 |

Operating point of Mechanical valve

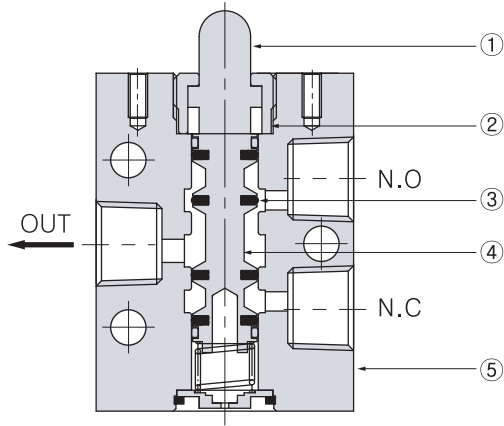


| | |
|------|--|
| P.T. | From the free position to the operating position of actuator |
| O.T. | From the operating position to the operating limit of actuator |
| T.T. | From the free position to the operating limit of actuator |

Series SMVS200

STRUCTURE / PARTS

SMVS 230

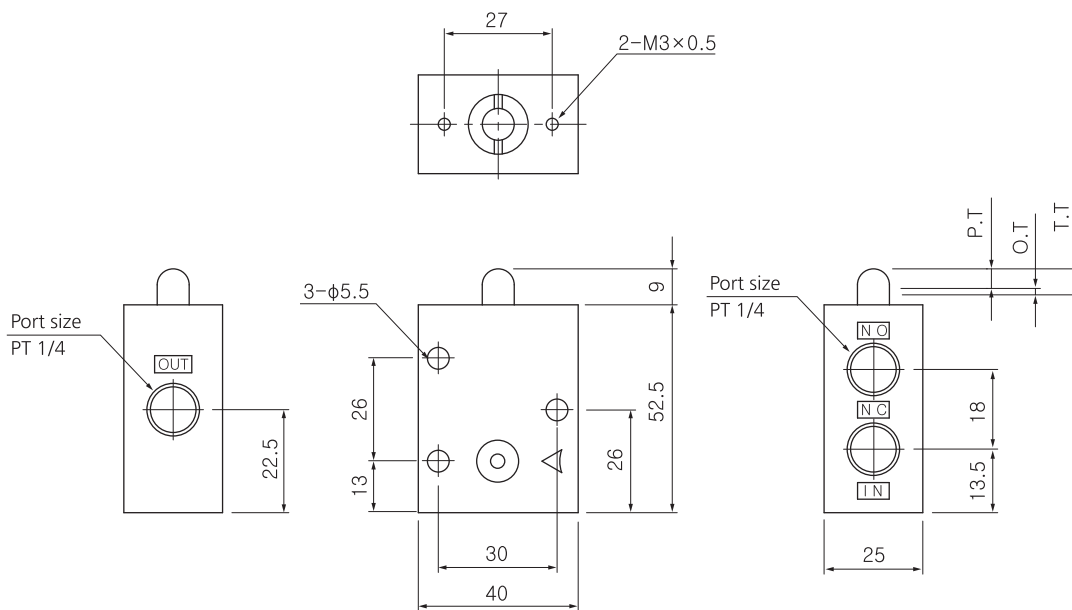


| No. | PARTS | MATERIAL |
|-----|-----------|----------|
| ① | Rod | SUS |
| ② | Rod guide | Brass |
| ③ | I-ring | NBR |
| ④ | Spool | Al |
| ⑤ | Body | ALDC |

DIMENSIONS (mm)

SMVS 230-02-00

| | |
|------|-----|
| P.T. | 1.8 |
| O.T. | 2.2 |
| T.T. | 4 |

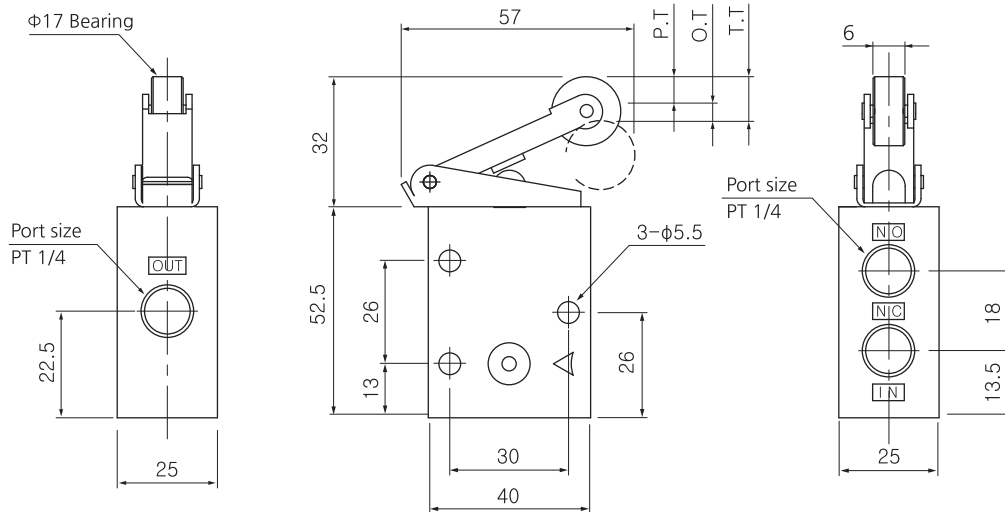


Spool type Mechanical Valve

DIMENSIONS (mm)

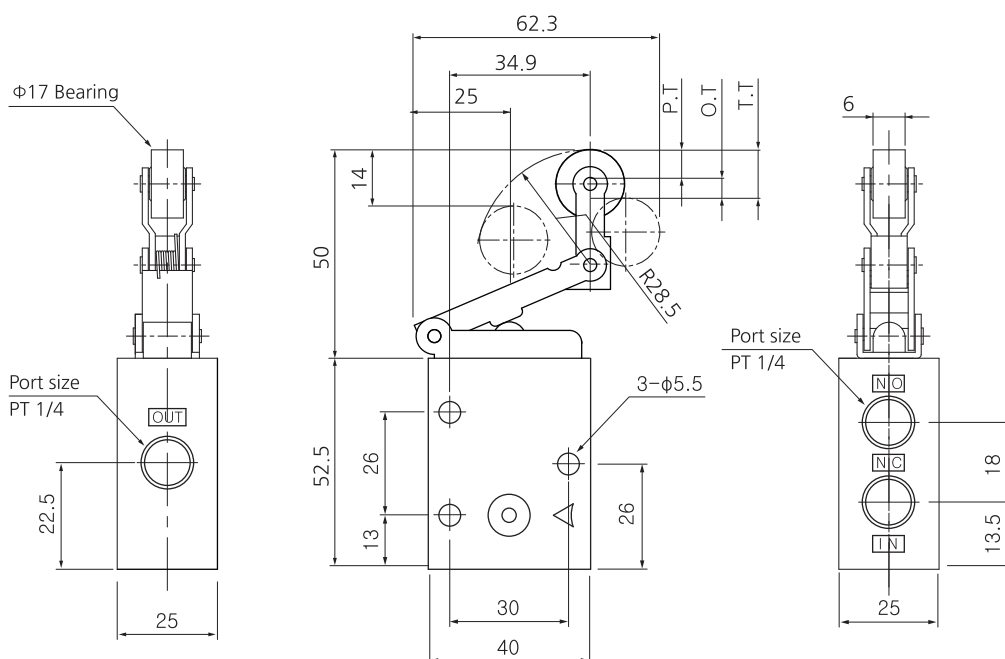
SMVS 230-02-01S

| | |
|------|---|
| P.T. | 4 |
| O.T. | 5 |
| T.T. | 9 |



SMVS 230-02-02S

| | |
|------|---|
| P.T. | 4 |
| O.T. | 5 |
| T.T. | 9 |

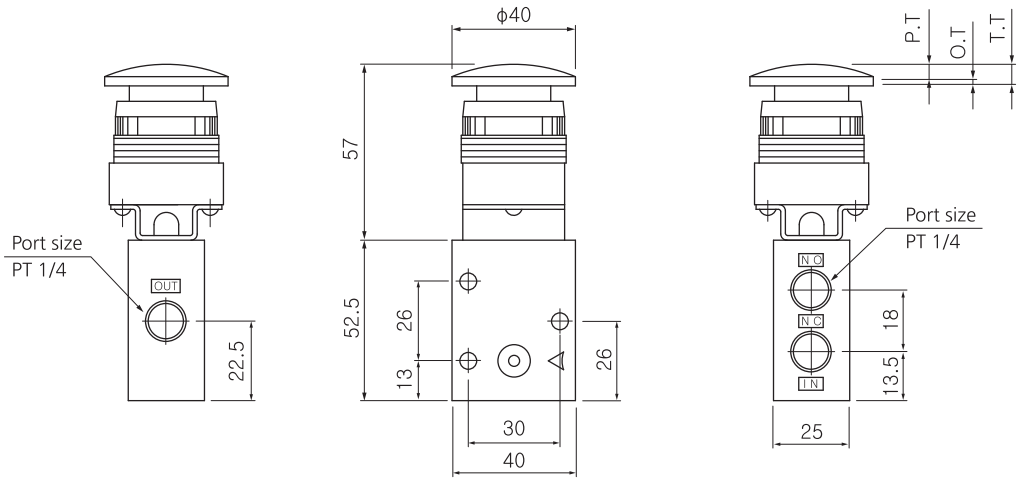


Series SMVS200

DIMENSIONS (mm)

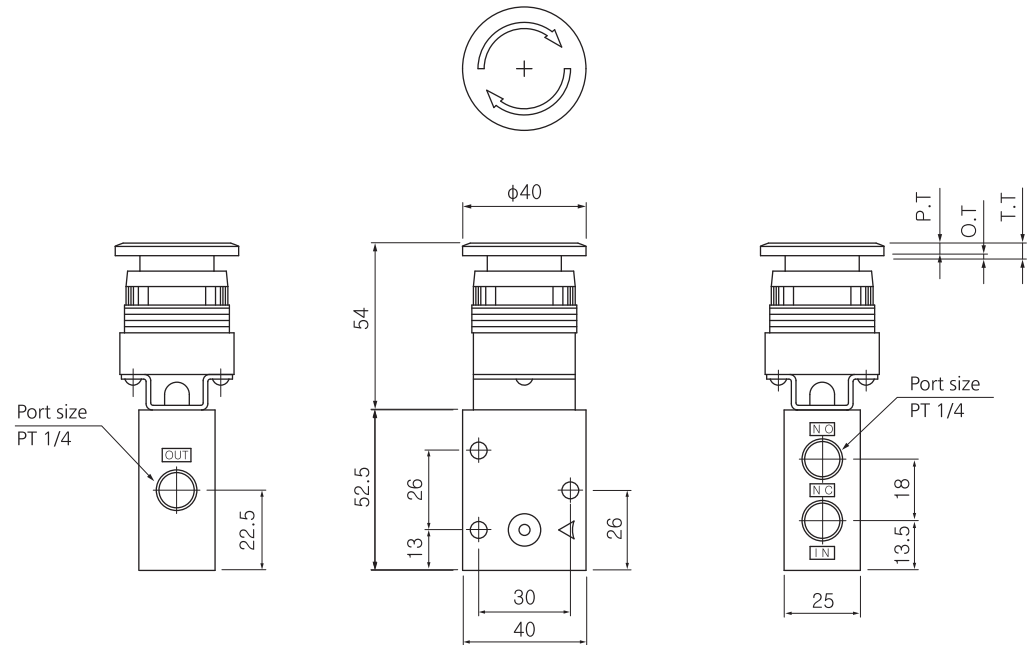
SMVS 230-02-30

| | |
|------|-----|
| P.T. | 4.9 |
| O.T. | 1.6 |
| T.T. | 6.5 |



SMVS 230-02-31

| | |
|------|-----|
| T.T. | 4.3 |
|------|-----|

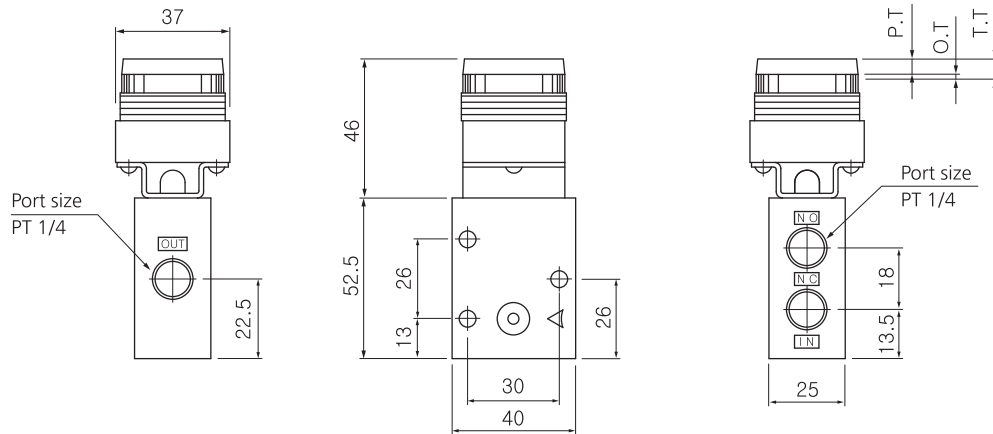


Spool type Mechanical Valve

DIMENSIONS (mm)

SMVS 230-02-32

| | |
|------|-----|
| P.T. | 4.9 |
| O.T. | 1.6 |
| T.T. | 6.5 |



SMVS 230-02-34

| | |
|------|-----|
| T.T. | 90° |
|------|-----|

