

Filter regulator for High Pressure (SAW)

SAW200H~600H Series



SAW200H



SAW300H



SAW400H



SAW600H

How to order

SAW 4 00 H - 04 BG

① Filter regulator

② Body Size

- 2 - 1/4
- 3 - 3/8
- 4 - 1/2, 3/4
- 6 - 1

③ for High pressure

④ Thread type

- Nil - Rc(PT)
- N - NPT
- G - G(PF)

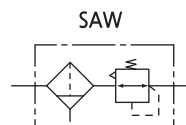
⑤ Port size

Symbol	Size	Body size			
		2	3	4	6
01	1/8	●			
02	1/4	●	●		
03	3/8		●		
04	1/2			●	
06	3/4			●	●
10	1				●

⑥ Accessory(Optional)

- Nil - None Bracket / Manual Drain / None Gauge
- B - Bracket
- D - Auto Drain

Symbol



Specification

Fluid	Compressed Air			
Max. operating pressure	30bar (3MPa)			
Max. supply pressure	20bar (2MPa)			
Ambient and Media temp.	-5 ~ 60°C (No freezing)			
Regulating range	1~17bar (0.1~1.7MPa)			
Gauge Port size	SAW200H	SAW300H	SAW400H	SAW600H
	1/8			1/4
Construction	Relief type			

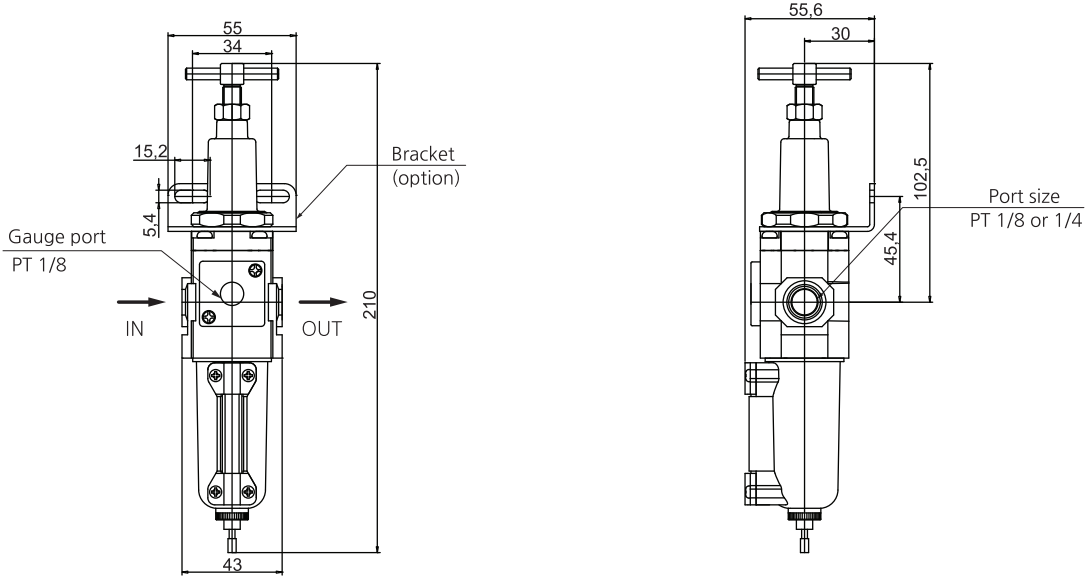
Precautions

- ① Set the outlet pressure range for the regulator in a range that is 85% or less of the inlet pressure. If set above 85%, the inlet pressure will be easily effected by fluctuations in the flow rate and inlet pressure, and will become unstable.
- ② To set the pressure using the knob, turn the knob in the direction that increases pressure and lock the knob after the pressure is set. If this is done in the direction that decreases pressure, the pressure may drop from the original set pressure. Turning the knob clockwise increases the outlet pressure, and turning it counterclockwise reduces the pressure.
- ③ Please contact SKP when a circuit requires the use of a regulator having relief sensitivity with high precision and setting accuracy.
- ④ Residual pressure release (outlet pressure release) is not complete by releasing the inlet pressure. To release residual pressure, select a model with a back flow mechanism.

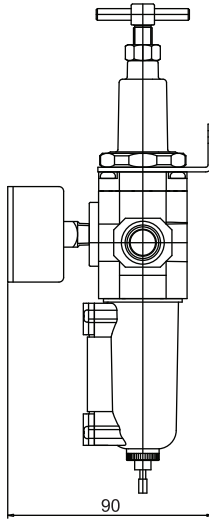
DIMENSIONS (mm)


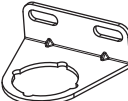
SAW 200H

■ SAW200H-□02□□



■ Dimensions of each model with an option attached

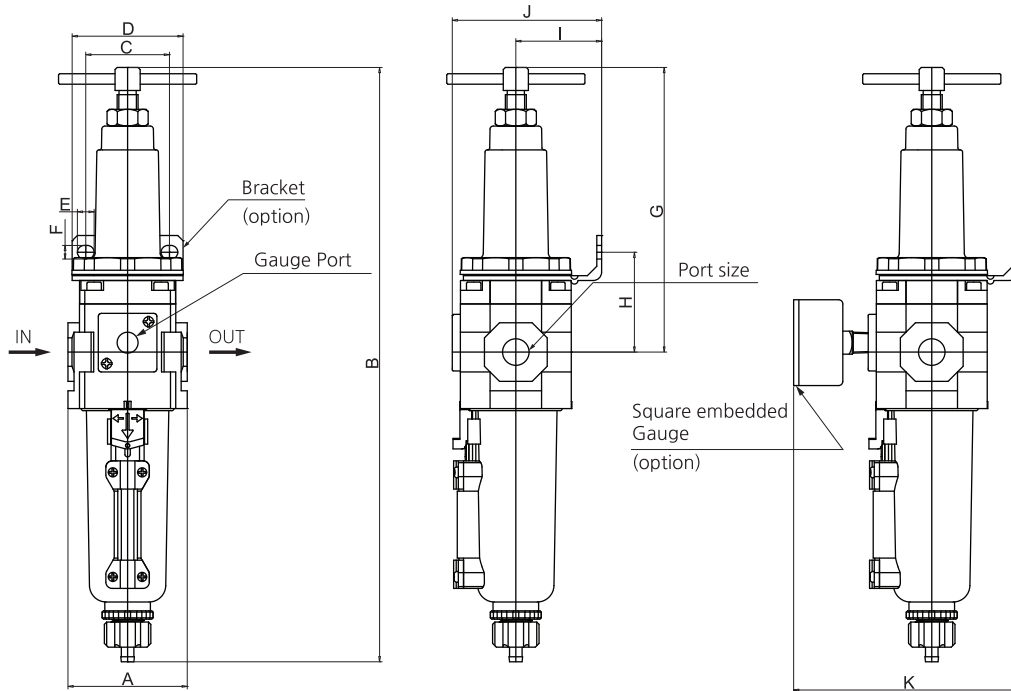




Option	G : Round type	B : Bracket
Model	 Gh40, R1/8	 B220

DIMENSIONS (mm)

SAW 300H~400H

- SAW300H□-□03□□
- SAW400H□-□04(06)□□



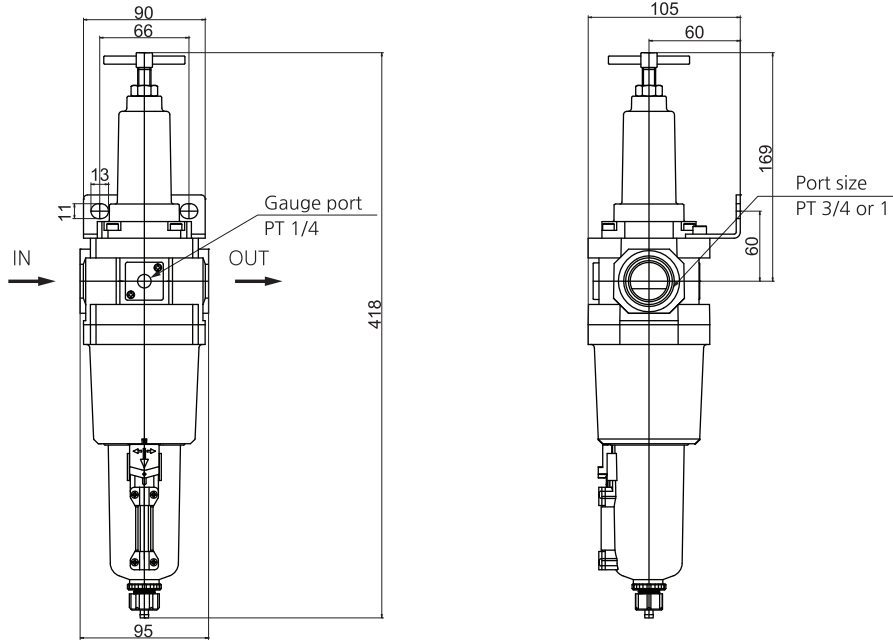
옵션	G : Round type	B : Bracket
품명	 SAW300H : Gh40, R1/8 SAW400-04(06)H : Gh50, R1/4	 SAW300H : B320 SAW400-04(06)H : B420

Model	Port size	A	B	C	D	E	F	G	H	I	J	K
SAW300H-03	1/4, 3/8	57	284	35	53	13	6.5	136	47.7	41	72	105
SAW400H-04	1/2	75	314	50	70	14.5	8.5	155	54	50	87	129
SAW400H-06	3/4	75	320	50	70	14.5	8.5	157.5	56.5	50	87	129

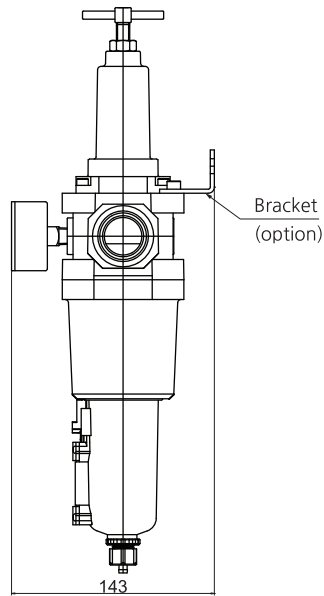
DIMENSIONS (mm)


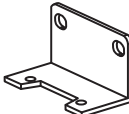
SAW 600H

- SAW600H□-□06□□
- SAW600H□-□10□□



- Dimensions of each model with an option attached



Option	G : Round type	B : Bracket
Model	 Gh50, R1/4	 B622