

Air Regulator for High Pressure (SAR)

SAR200H~600H Series

- Highly durable materials are used in the manufacturing of air regulators intended for high pressure operation.



SAR200H



SAR300H



SAR400H



SAR600H

How to order

SAR 4 00 H - 04 BG

① Air Regulator

② Body Size

2 - 1/4
3 - 3/8
4 - 1/2
6 - 1

③ for high pressure

④ Thread type

Nil - Rc(PT)
N - NPT
G - G(PF)

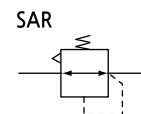
⑤ Port Size

기호	사이즈	몸체 사이즈			
		2	3	4	6
01	1/8	●			
02	1/4	●	●		
03	3/8		●		
04	1/2			●	
06	3/4			●	●
10	1				●

⑥ Accessory(Optional)

Nil - None Bracket / None Gauge(Adapter Only)
B - Bracket
G - Gauge(Round type)

Symbol



Specification

Fluid	Compressed Air			
Max. supply pressure	30bar (3MPa)			
Max. operating pressure	20bar (2MPa)			
Ambient and Media temp.	-5 ~ 60°C (No freezing)			
Regulating range	1~17bar (0.1~1.7MPa)			
Gauge port	SAR200H	SAR300H	SAR400H	SAR600H
		1/8		1/4
Construction	Relief type			

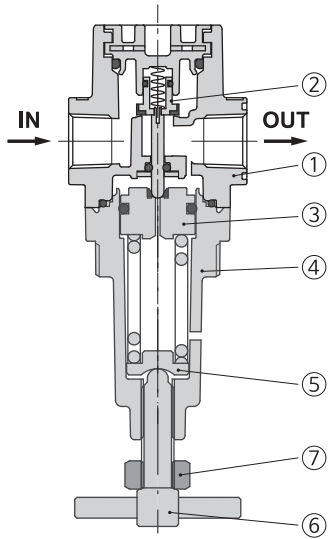
Precautions

- Set the outlet pressure range for the regulator in a range that is 85% or less of the inlet pressure. If set above 85%, the inlet pressure will be easily effected by fluctuations in the flow rate and inlet pressure, and will become unstable.
- To set the pressure using the knob, turn the knob in the direction that increases pressure and lock the knob after the pressure is set. If this is done in the direction that decreases pressure, the pressure may drop from the original set pressure. Turning the knob clockwise increases the outlet pressure, and turning it counterclockwise reduces the pressure.
- Please contact SKP when a circuit requires the use of a regulator having relief sensitivity with high precision and setting accuracy.
- Residual pressure release (outlet pressure release) is not complete by releasing the inlet pressure. To release residual pressure, select a model with a back flow mechanism.

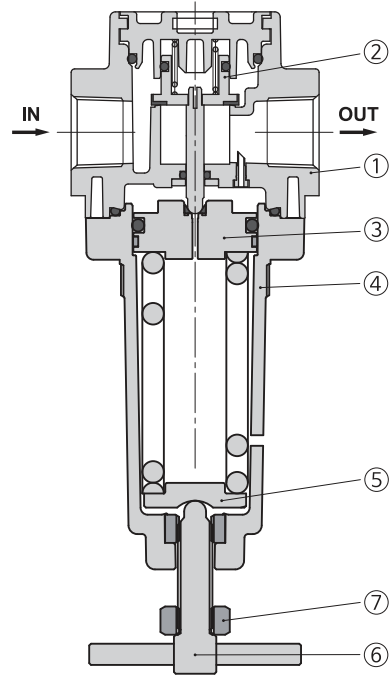
Series SAR200H~600H

STRUCTURE / PARTS

SAR200



SAR300 to 600



■ Component Parts

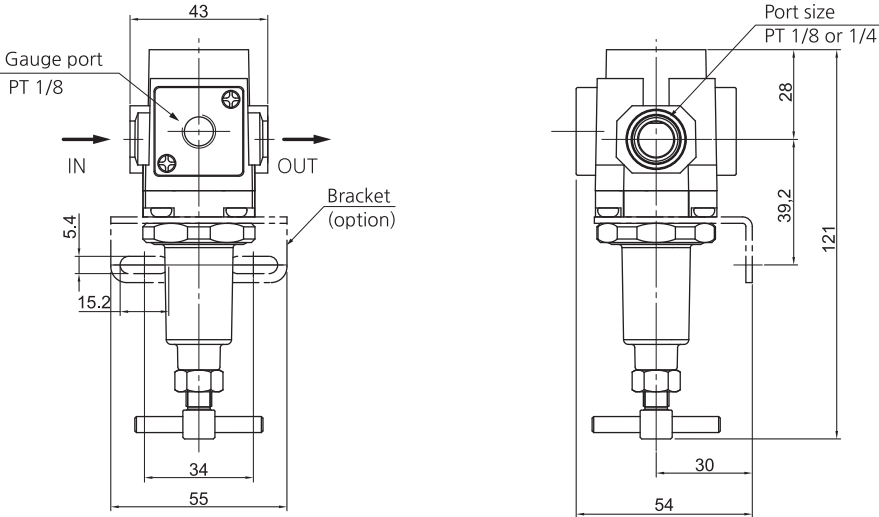
No.	PARTS	MATERIAL
①	Body	ALDC
②	Check valve Ass'y	Brass, NBR
③	Piston Ass'y	Brass, NBR
④	Cover	ALDC
⑤	Spring Guide	SUM
⑥	Handle	SUM
⑦	Nut	SUM

Air Regulator for High Pressure

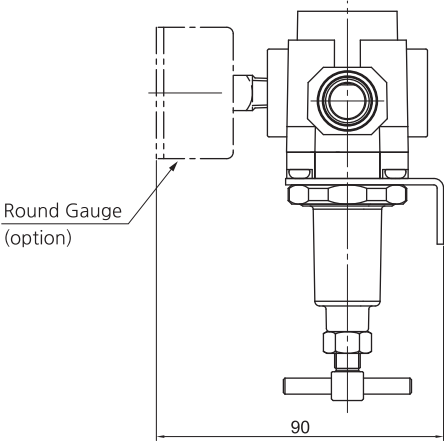
DIMENSIONS (mm)


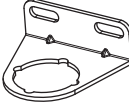
SAR 200H

- SAR200H-□02□□



- Dimensions of each model with an option attached



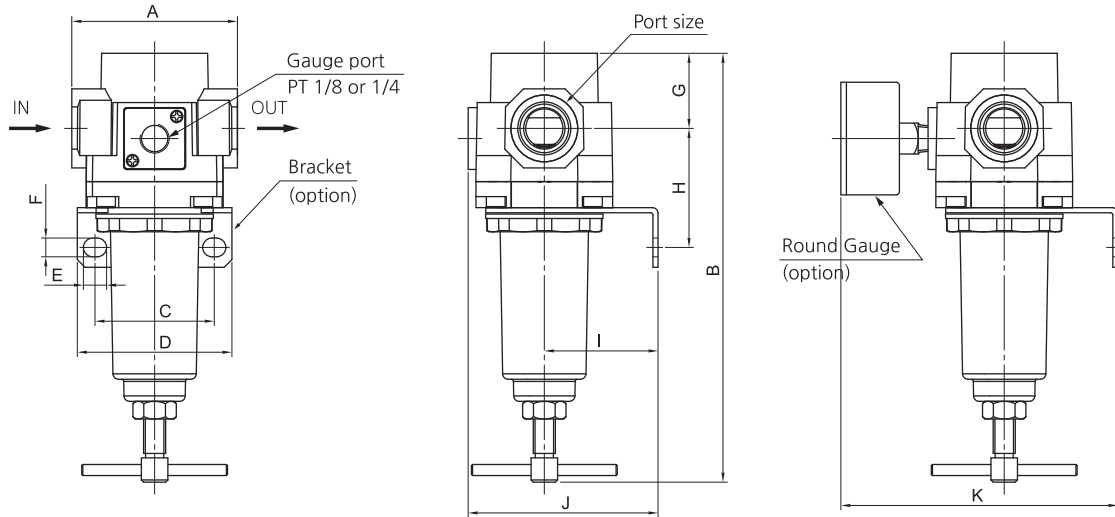
Option	G : Round type Gague	B : Bracket
Model	 Gh40, R1/8	 B220



Series SAR200H~600H

DIMENSIONS (mm)

SAR 300H~400H

- SAR300H□-□03□□
- SAR400H□-□04(06)□□



Option	G : Round type Gauge	B : Bracket
Model	 SAR300H : Gh40, R1/8 SAR400H : Gh50, R1/4	 SAR300H : B320 SAR400H : B420

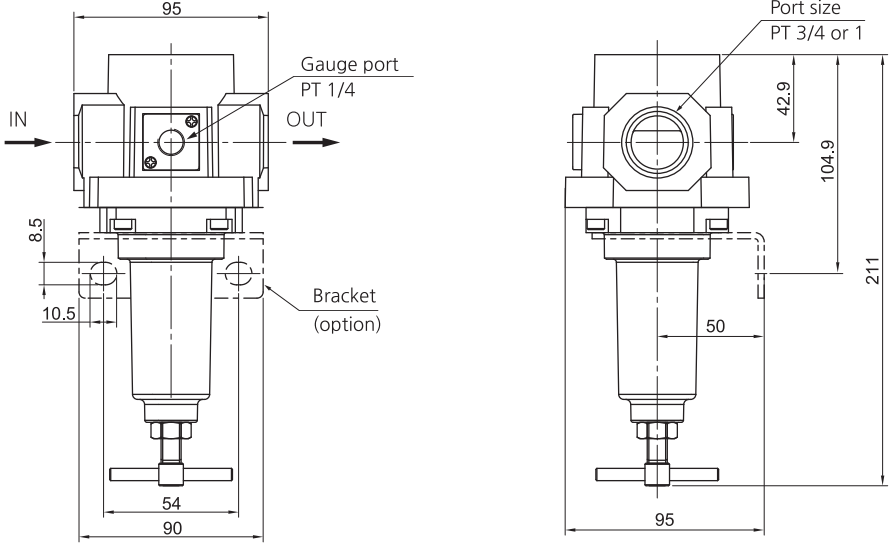
Model	Port size	A	B	C	D	E	F	G	H	I	J	K
SAR300H-03	1/4, 3/8	57	164	35	53	13	6.5	28.4	45.7	41	68	105
SAR400H-04	1/2	75	188	50	70	14.5	8.5	34	54	50	85	129
SAR400H-06	3/4	75	190	50	70	14.5	8.5	34.5	55.5	50	85	129

Air Regulator for High Pressure

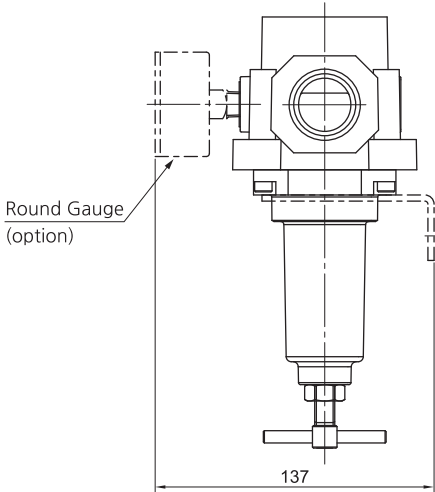
DIMENSIONS (mm)


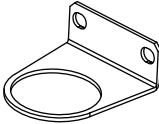
SAR 600H

- SAR600H□-□06□□
- SAR600H□-□10□□



- Dimensions of each model with an option attached



Option	G : Round type Gauge	B : Bracket
Model	 Gh50, R1/4	 B620